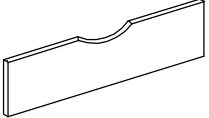
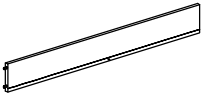
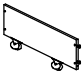

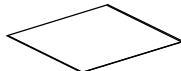





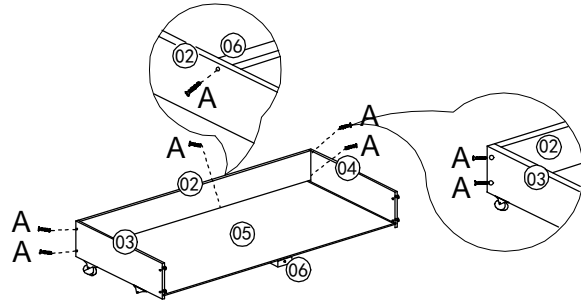
ASSEMBLY INSTRUCTION INSTRUCTION D'ASSEMBLAGE

B2013DC / B2043 / B2053W -T Toy Box(One Pair) / Boîte

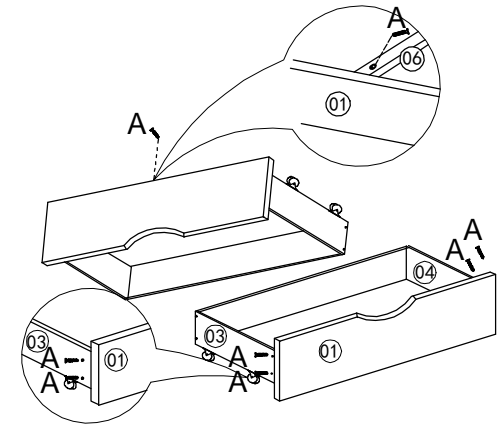
PART LIST / LISTE DE PIECES:

- | | | | | | |
|---|---|---|---|---|---|
|  |  |  |  |  |  |
| ① Front Panel / Faces Avant de Tiroir 2 PCS | ② Back Panel / Panneau Arriere 2PCS | ③ LSF Panel with Castor / Panneaux Lateraux de Tiroi 2PCS | ④ RSF Panel with Castor / Panneaux Lateraux de Tiroi 2PCS | ⑤ Bottom Panel / Fond de Tiroir 2PCS | ⑥ Center Support Bar / Centre d'assistance Bar 2PCS |

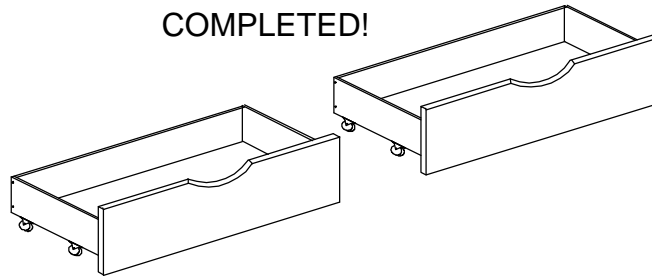
Step 1 / Etape 1



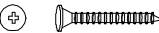
Step 2 / Etape 2



COMPLETED!



HARDWARE LIST / LISTE DE QUINCAILLERIE

| | | | | |
|----------|---|-------------|--------------|--------|
| A |  | Screw / Vis | 5/32"X1 3/8" | 20 PCS |
|----------|---|-------------|--------------|--------|