



# ASSEMBLY INSTRUCTION

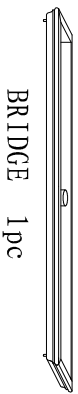
ITEM NO. : 8014-B BRIDGE WITH SHELF/LIGHT KIT

8014-L LSF PIER

8014-R RSF PIER

8014-T TV CABINET

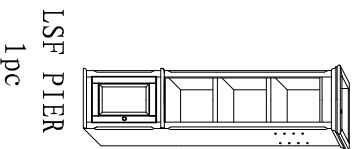
## PARTS LIST:



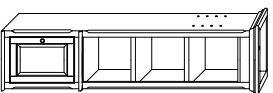
BRIDGE 1pc



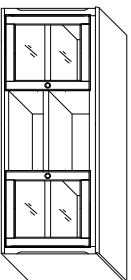
SHELF 1pc



LSF PIER 1pc



RSF PIER 1pc



TV CABINET 1pc

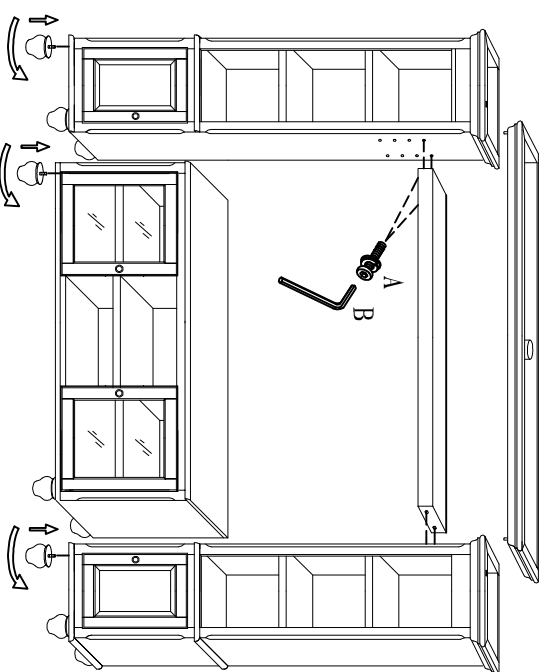


LEG 12pcs

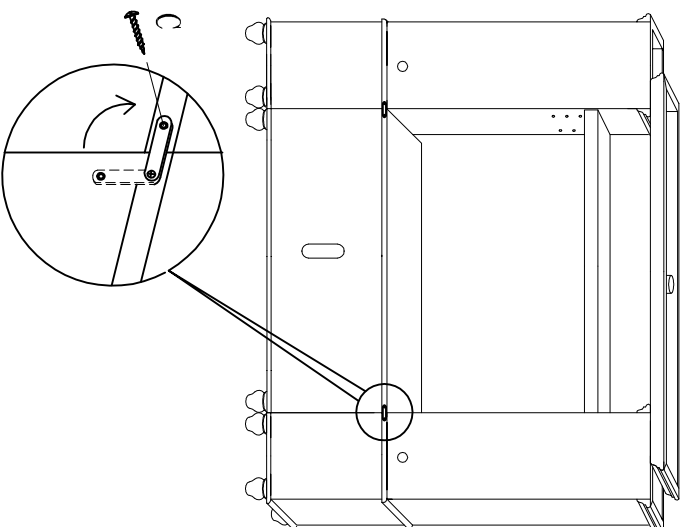
## HARDWARE LIST

A		Bolt	Ø1/4" * 1-1/4"	4 PCS
B		Allen Key	Ø1/4"	1 PC
C		Screw	8# x 1"	2 PCS

### STEP#1



### STEP#2



### COMPLETED

