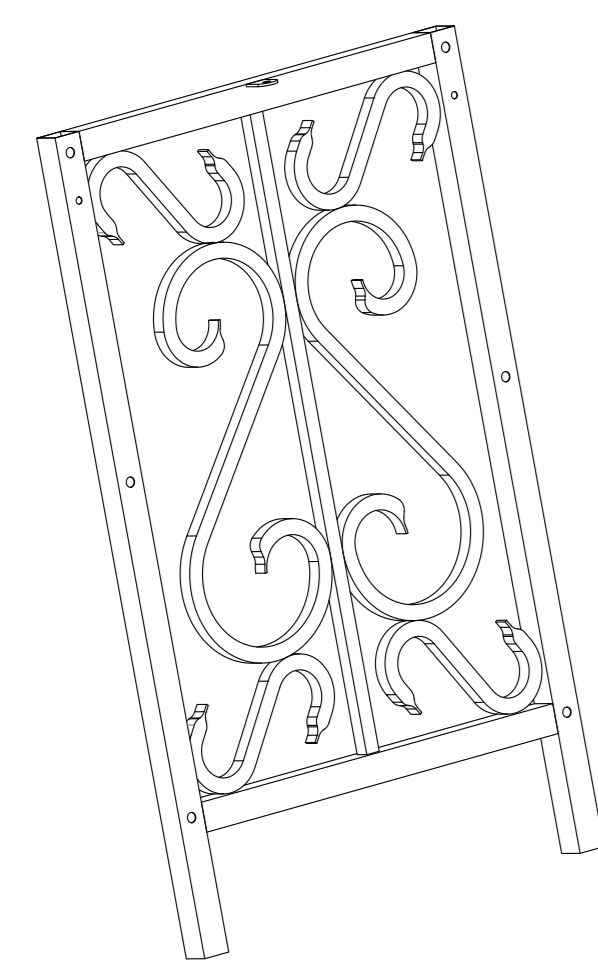




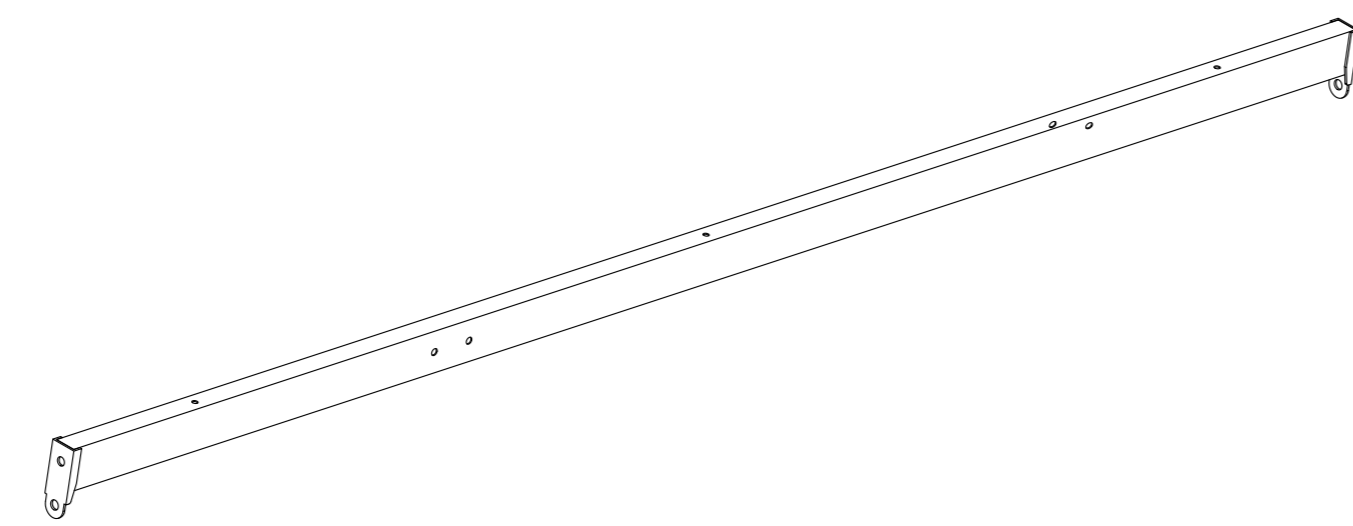
ASSEMBLY INSTRUCTION

35800-T TV STAND/SOFA TBL (3A)

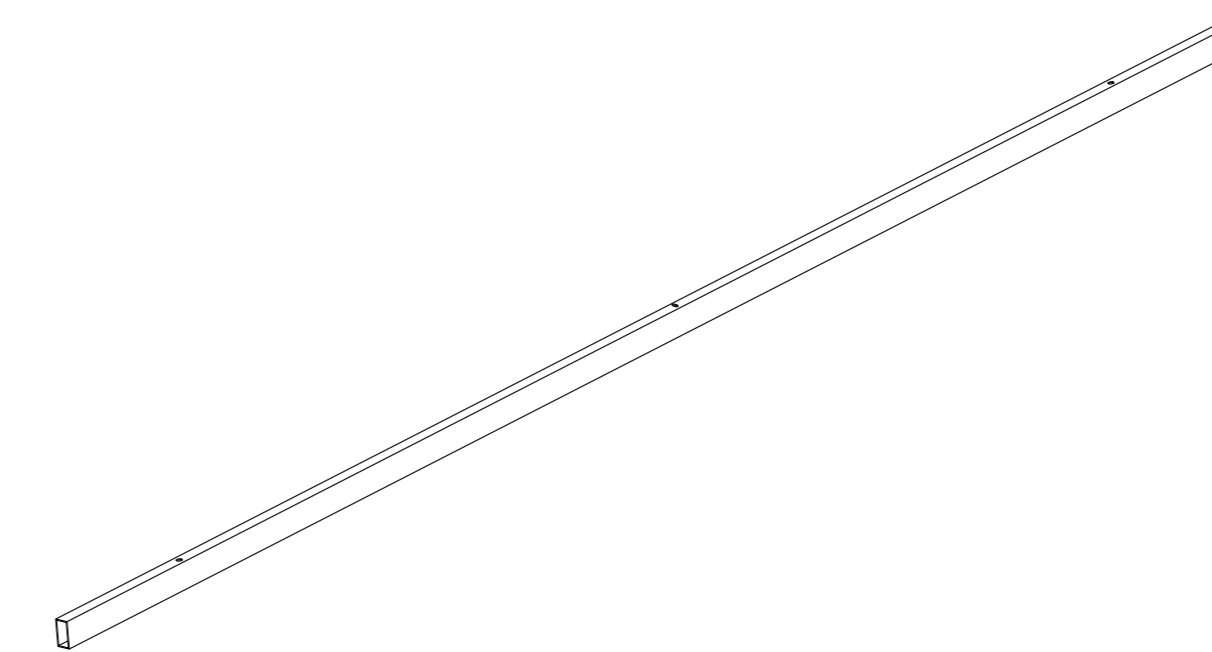
PART LIST:



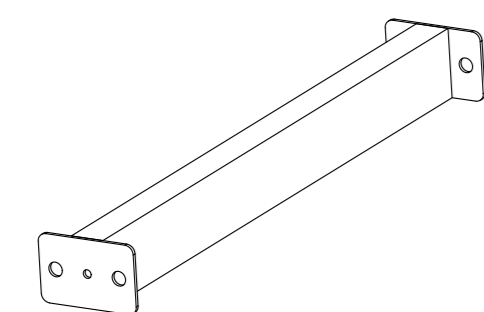
A:Side Frame
2PCS



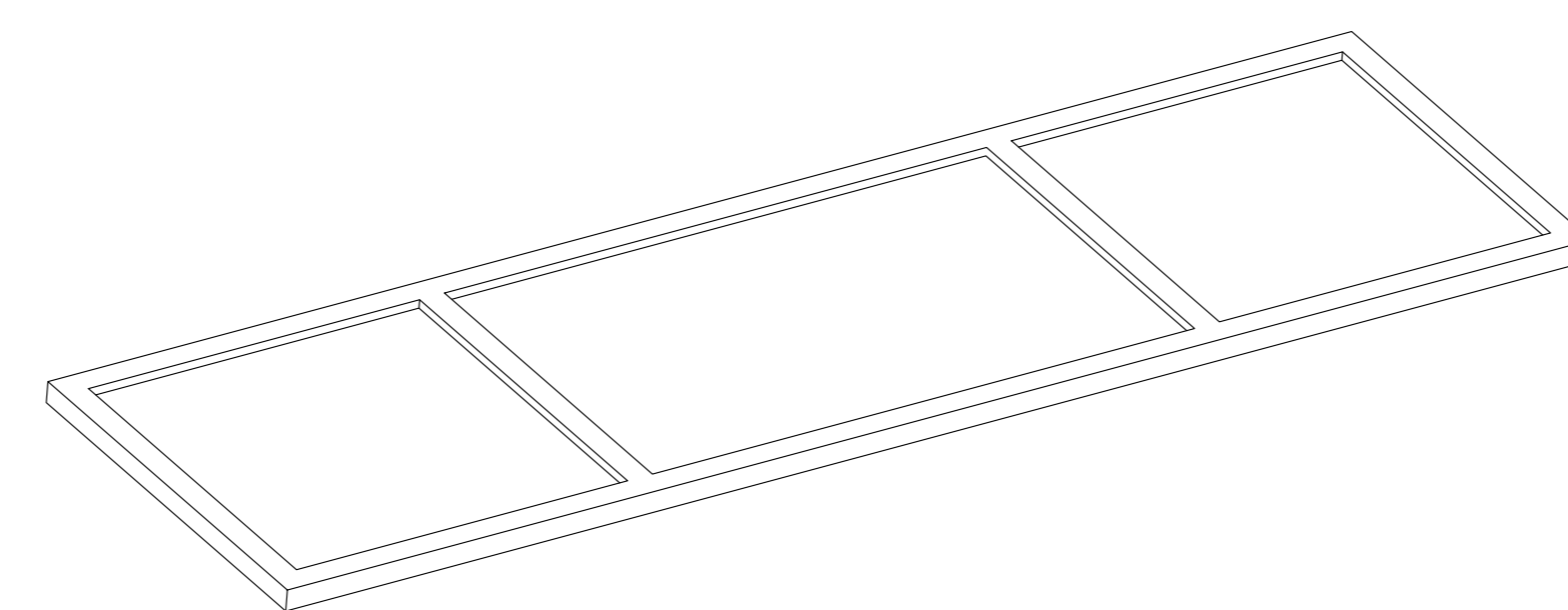
B:Table Top Cross Bar
2PCS



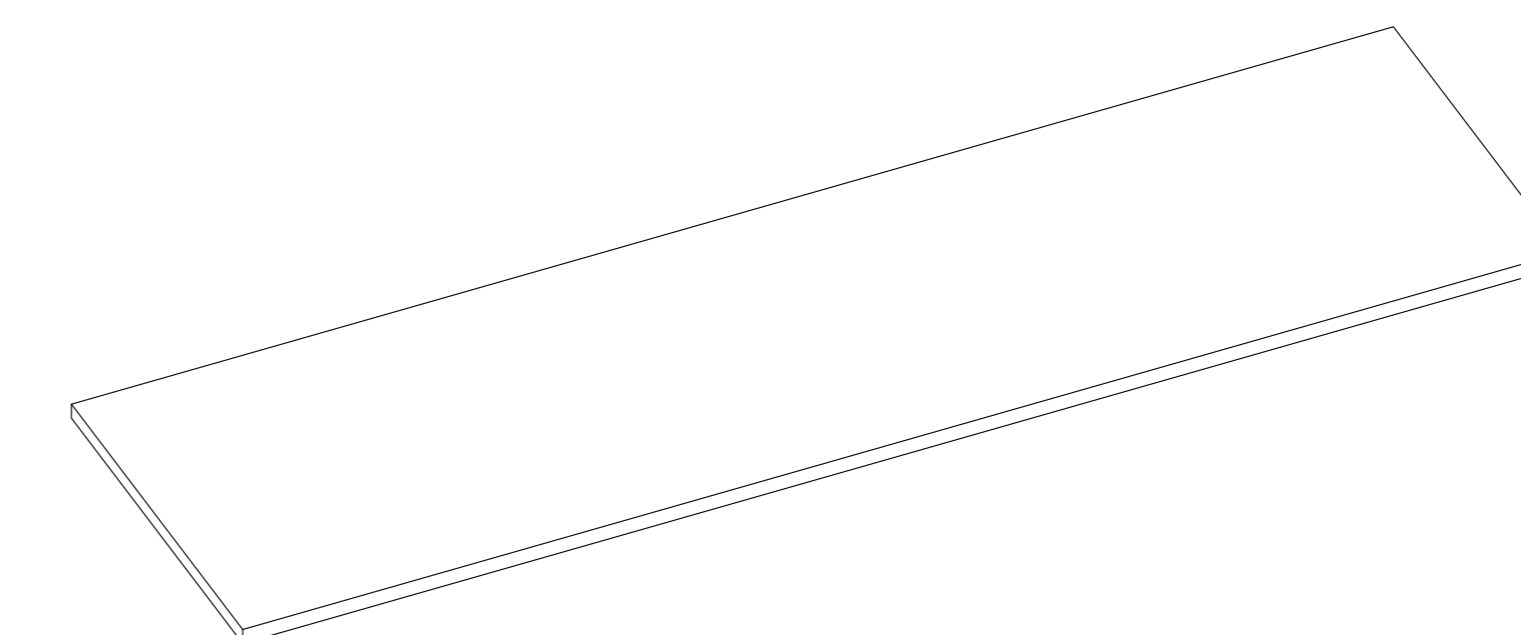
C:Shelf Cross Bar
4PCS



D:Table Top Center Support Bar
2PCS



E:Table Top
1PC



F:Shelf
2PCS

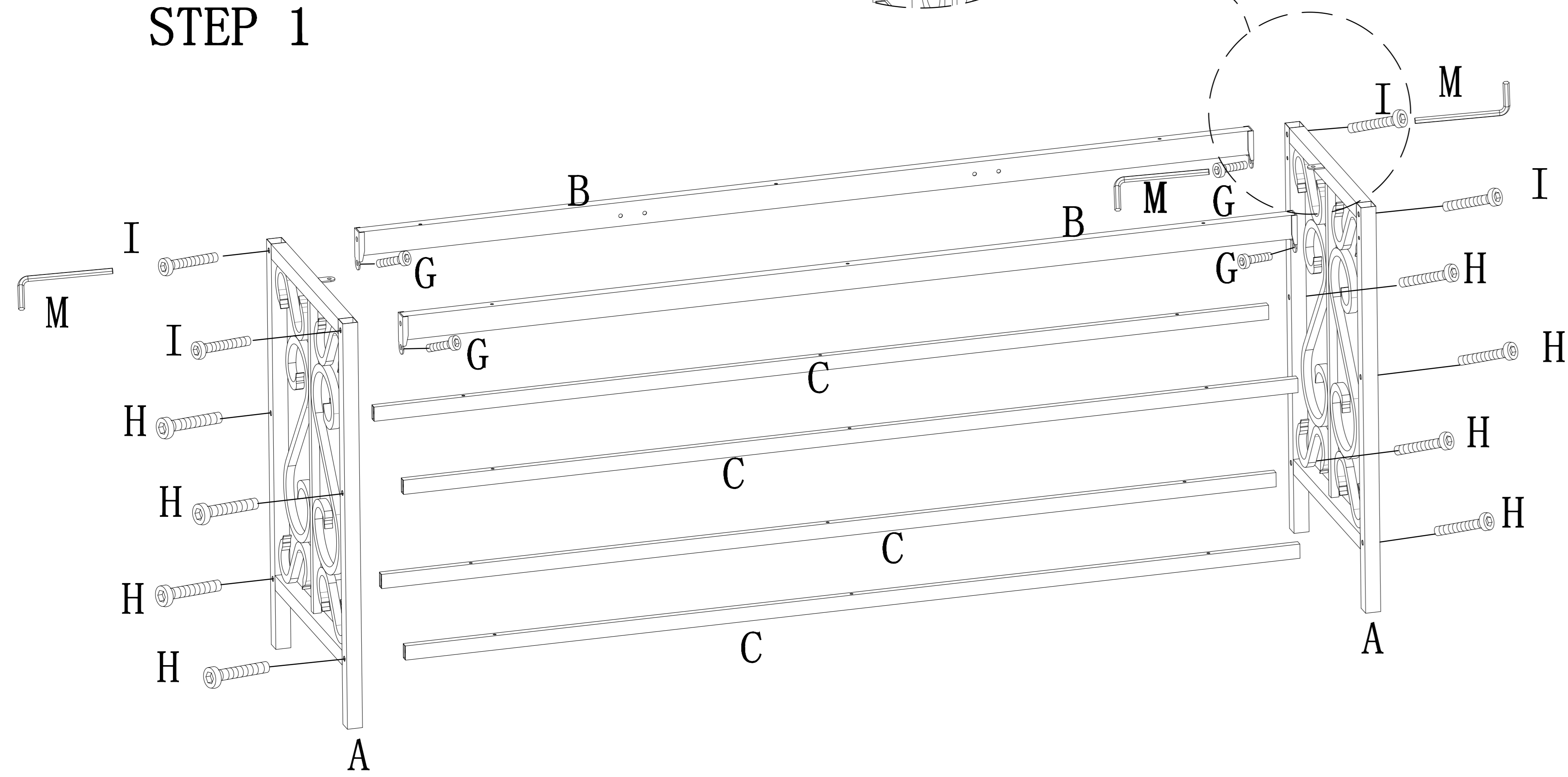
HARDWARE LIST

Part	Image	Description	Size	Quantity
G		Bolt	1/4"*16mm	12pcs
H		Bolt	1/4"*43mm	8pcs
I		Bolt	5/16"*43mm	4pcs
J		Screw	M5*16mm	2pcs
K		Screw	M5*38mm	12pcs
L		Screw	M5*58mm	6pcs
M		L-Allen Key	4mm	1pc

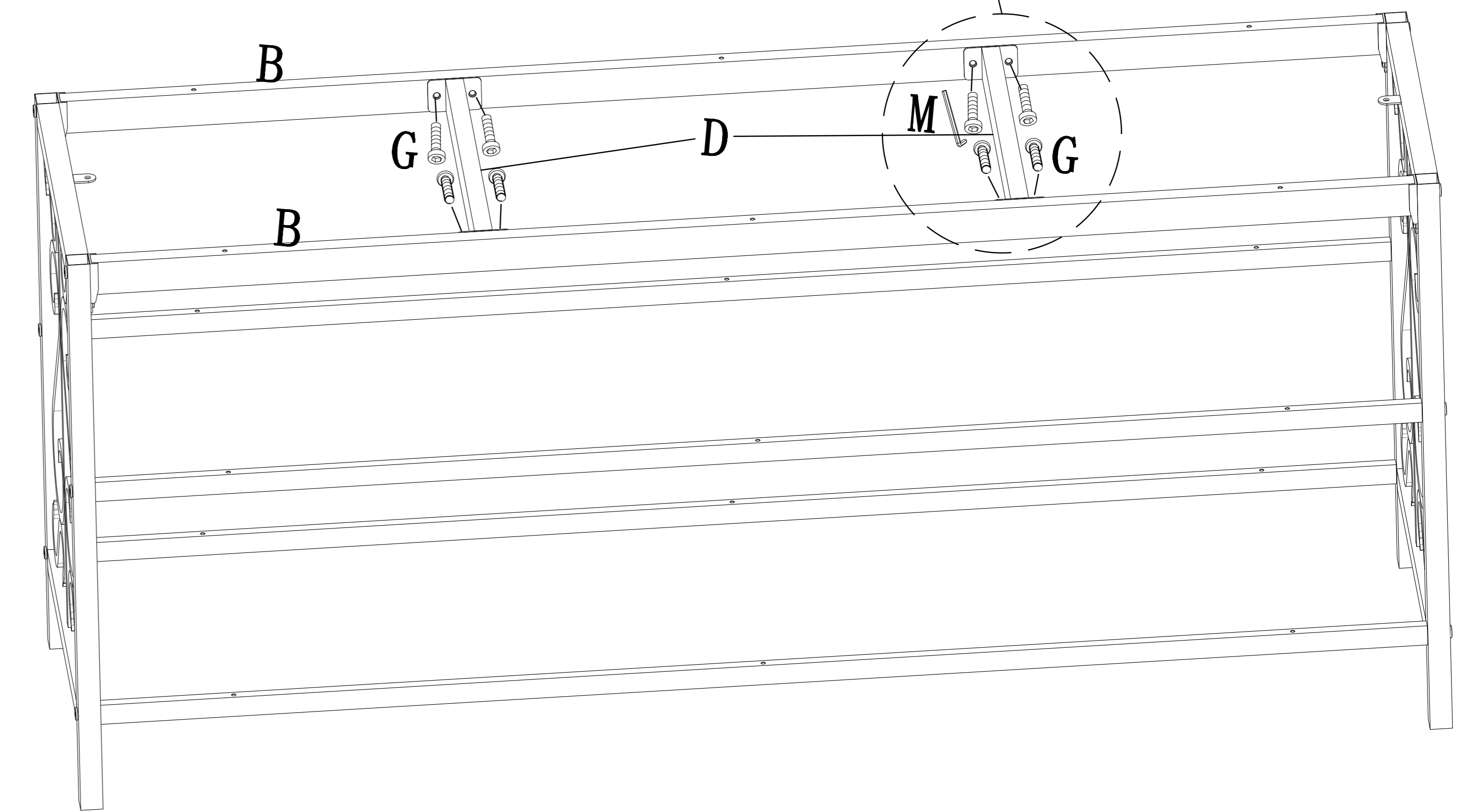
ASSEMBLY INSTRUCTION

35800-T TV STAND/SOFA TBL (3A)

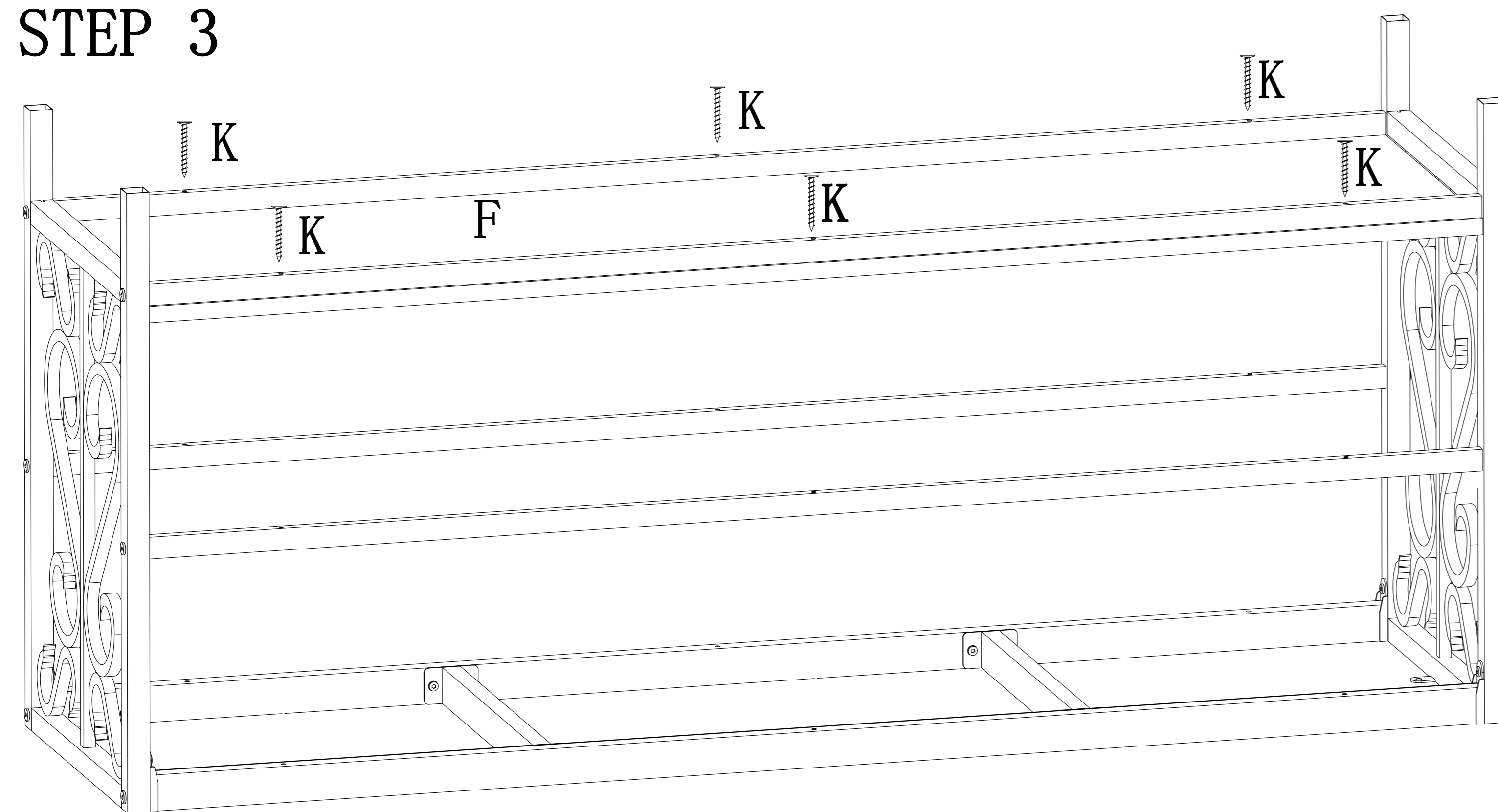
STEP 1



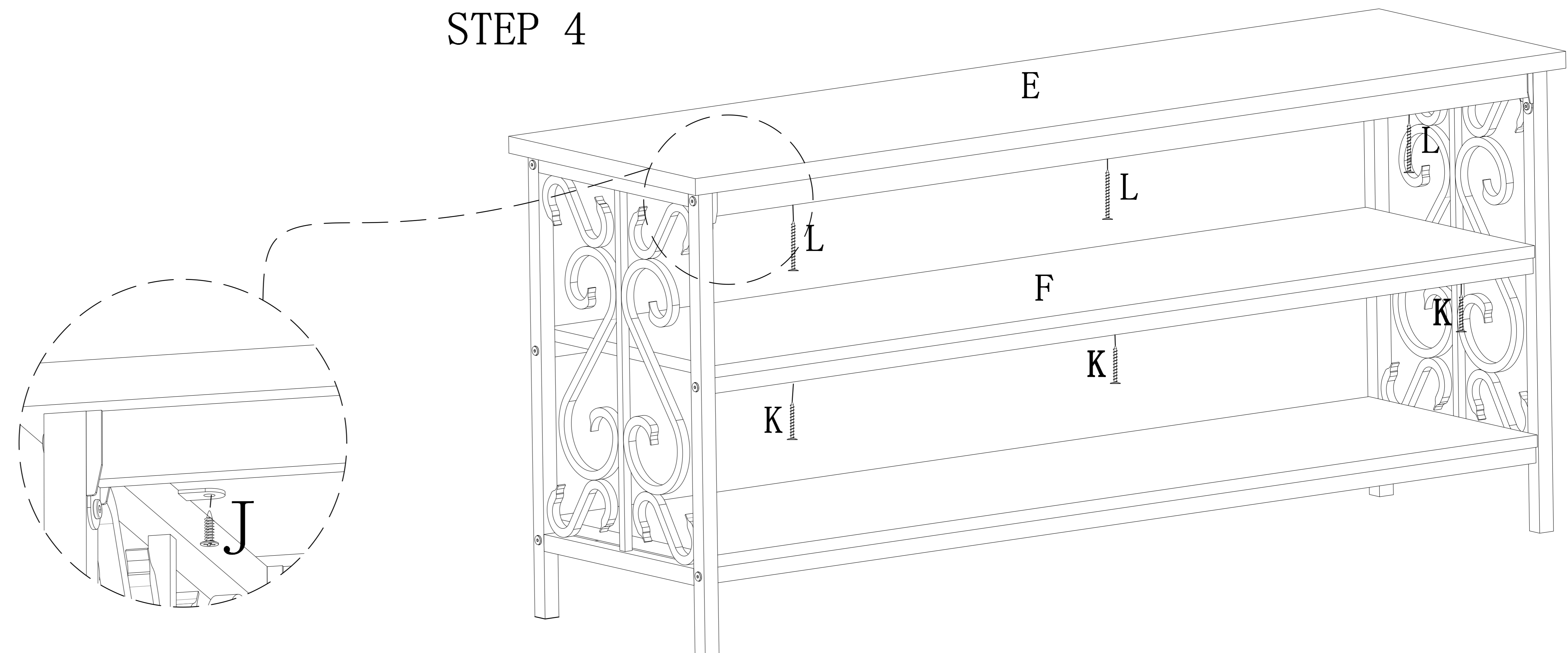
STEP 2



STEP 3



STEP 4



For items use on wooden floor, hard surfaces or carpets, it is recommended to Install protective pads under all legs and supports to avoid/prevent rom damages/scratches and discoloration.