

Assembly Instruction

ITEM#: 1718KGY EASTERN/CAL KING BED

1718KGY-1 EASTERN/CAL KING HEADBOARD

1718KGY-2 EASTERN/CAL KING FOOTBOARD & SLATS

1718GY-3 QUEEN/EK RAILS

1718KGY-3CK CAL KING BED RAILS W/TOP CROWN



PART LIST

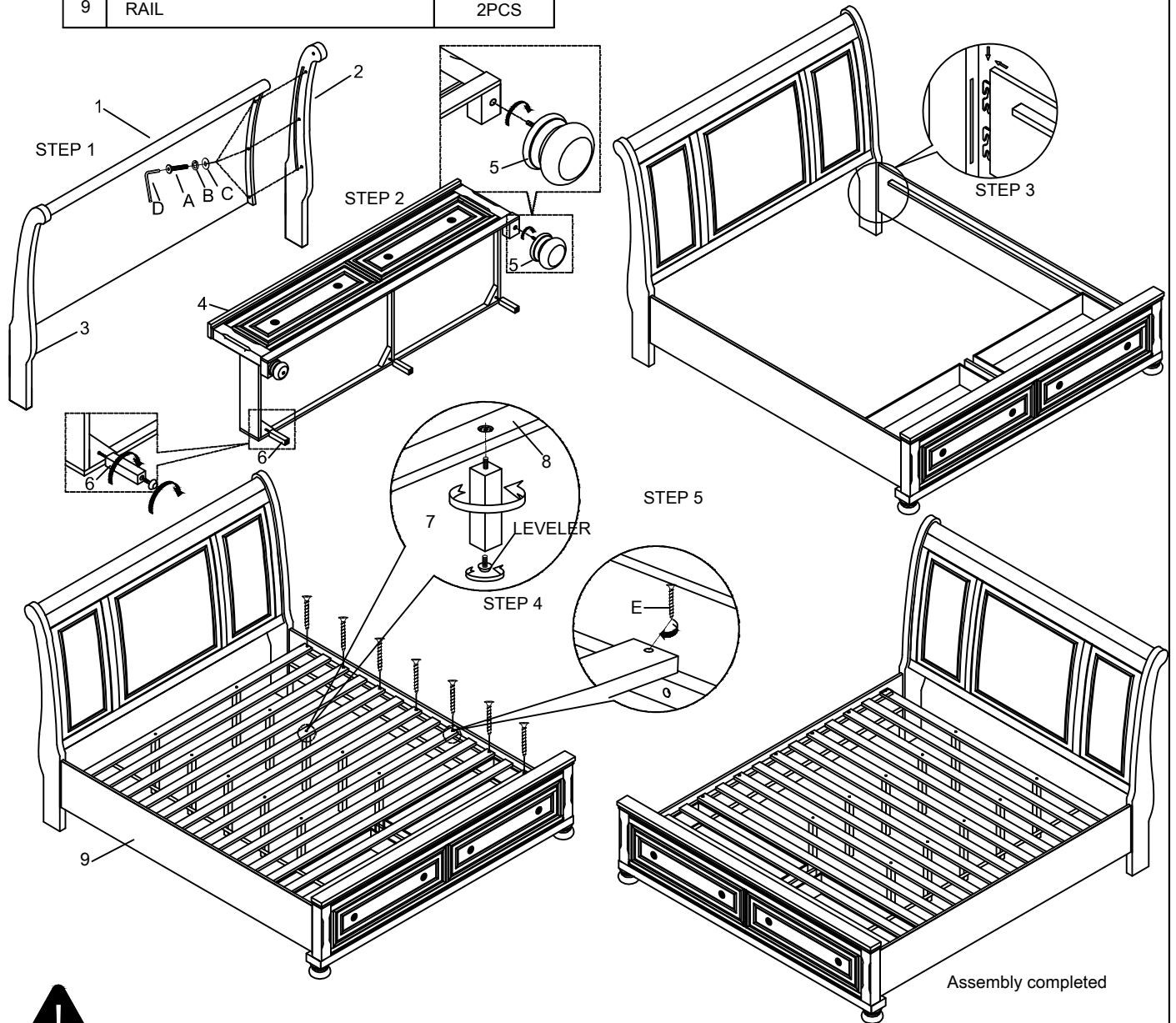
1	HEADBOARD	1PC
2	HEADBOARD POST LSF	1PC
3	HEADBOARD POST RSF	1PC
4	FOOTBOARD W/DRAWER	1PC
5	BUN FOOT	2PCS
6	SUPPORT LEG OF DRAWER	3PCS
7	SUPPORT LEG OF SLAT	10PCS
8	SLAT	1ROLL/13PCS
9	RAIL	2PCS

HARDWARE LIST IN -1

A		BOLT $\phi 5/16 \times 1 \frac{1}{2}$ " L	6PCS
B		SPRING WASHER $\phi 1/2 \times \phi 5/16$ "	6PCS
C		FLAT WASHER $\phi 3/4 \times \phi 5/16$ "	6PCS
D		ALLEN KEY 5/16"	1PC

HARDWARE LIST IN -2

E		SCREW $8 \# \times 1 - 1/4$ "	14PCS
---	--	-------------------------------	-------



Autodesk

Autodesk



**For items use on wooden floor hard surfaces or carpets
It is recommended to install protective pads under all legs and supports
to avoid/prevent from damages/scratches and discoloration**

MADE IN VIETNAM