



Autodesk

Assembly Instruction

ITEM#: 1718GY QUEEN BED
 1718GY-1 QUEEN HEADBOARD
 1718GY-2 QUEEN FOOTBOARD & SLATS
 1718GY-3 QUEEN/EK RAILS

PART LIST

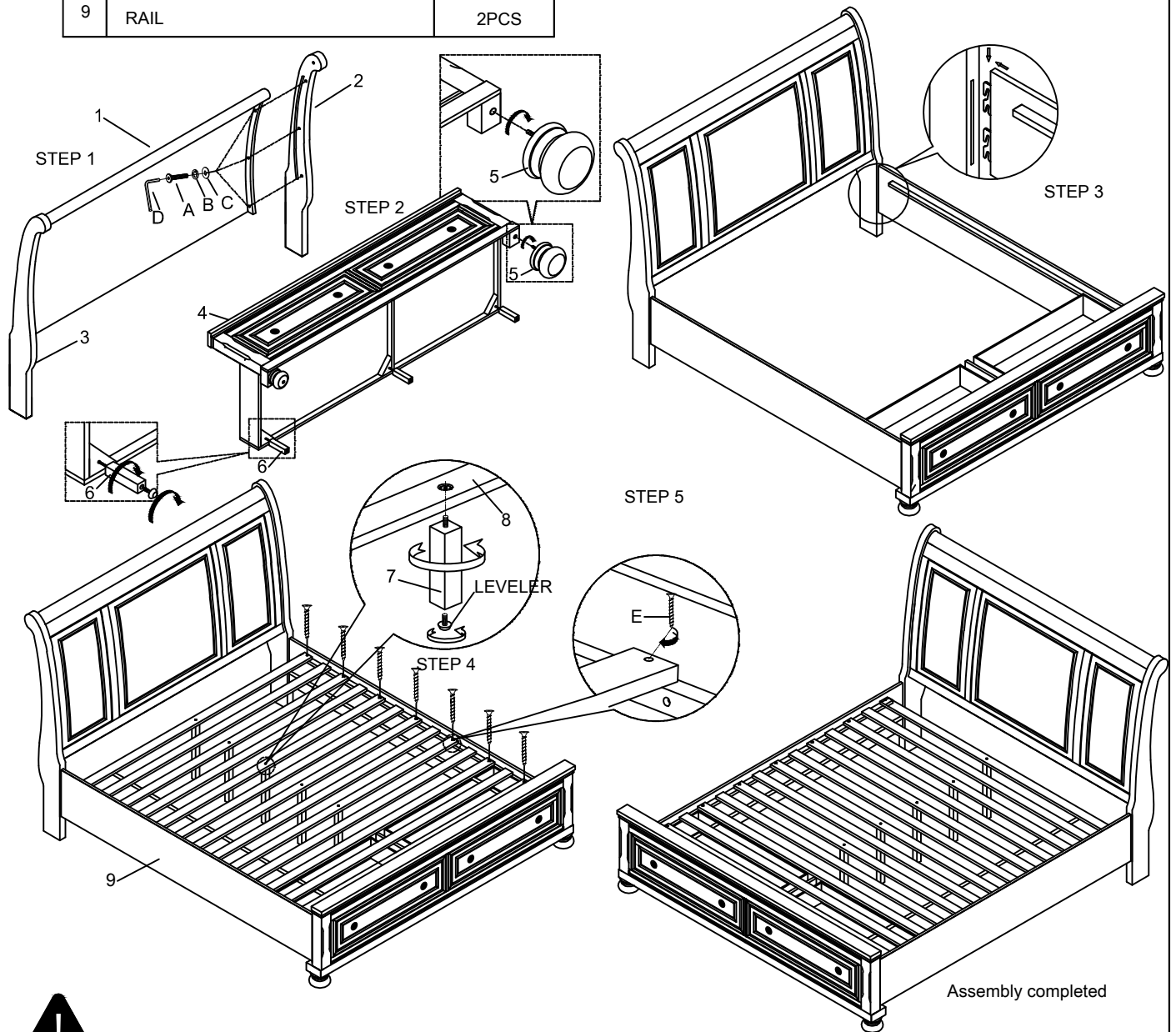
1	HEADBOARD	1PC
2	HEADBOARD POST LSF	1PC
3	HEADBOARD POST RSF	1PC
4	FOOTBOARD W/DRAWERS	1PC
5	BUN FOOT	2PCS
6	SUPPORT LEG OF DRAWER	3PCS
7	SUPPORT LEG OF SLAT	5PCS
8	SLAT	1ROLL/13PCS
9	RAIL	2PCS

HARDWARE LIST IN -1

A		BOLT $\phi 5/16 \times 1 1/2$ " L	6PCS
B		SPRING WASHER $\phi 1/2 \times \phi 5/16$ "	6PCS
C		FLAT WASHER $\phi 3/4 \times \phi 5/16$ "	6PCS
D		ALLEN KEY 5/16"	1PC

HARDWARE LIST IN -2

E		SCREW $8 \# \times 1-1/4$ "	14PCS
---	--	-----------------------------	-------



Autodesk

Autodesk



**For items use on wooden floor hard surfaces or carpets
 it is recommended to install protective pads under all legs and supports
 to avoid/prevent from damages/scratches and discoloration**

MADE IN VIETNAM

Autodesk