



# ASSEMBLY INSTRUCTIONS

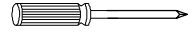
ITEM NO: 1316-5 DRESSER

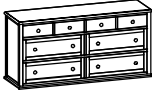


**Thank you for purchasing this quality product. Be sure to check all packing material carefully for small parts that may have come loose inside the carton during shipment.**


- For items use on wooden floor, hard surfaces or carpets, it is recommended to install protective pads under all legs and supports to avoid/ prevent from damages/ scratches and discoloration.
- Hardware may loosen over time, periodically check to make sure all connection are tight. Re-tighten if necessary.

TOOLS REQUIRED (NOT PROVIDED)

PHILLIPS SCREWDRIVER



PARTS LIST		
No.	Description	Qty.
①	Dresser 	1 Pc
②	Legs 	4 Pcs
③	Support Leg 	1 Pc

HARDWARE LIST OF RAILS		
Ⓐ	Tipping Restraint 	1 Set

