

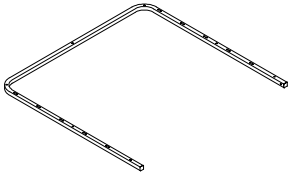


ASSEMBLY INSTRUCTION

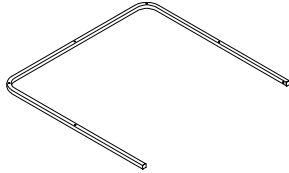
MF-850T TWIN MATTRESS FOUNDATION

HOMELEGANCE

PART LIST:



A: Rail Upper Section
2PCS



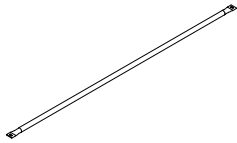
B: Rail Down Section
2PCS



D: Rail Support Bar
10PCS



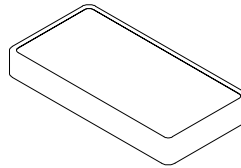
E: Rail Connector Bar
2PCS



H: Slat
12PCS



I: Slat Connector
20PCS



K: Coverlet
1PC

HARDWARE LIST:



1: Bolt
1/4*35mm
X 20pcs



2: Bolt
1/4*16mm
X 8pcs



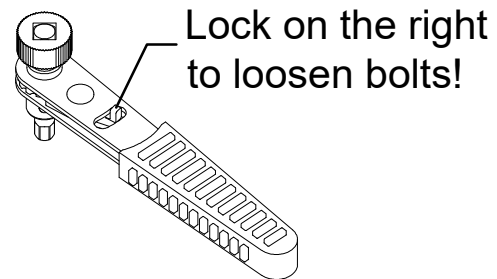
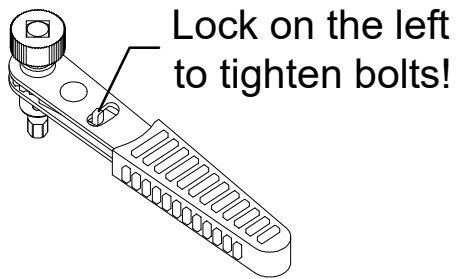
3: Bolt
3/16*16mm
X 4pcs



4: Ratchet Tool
X 1PC

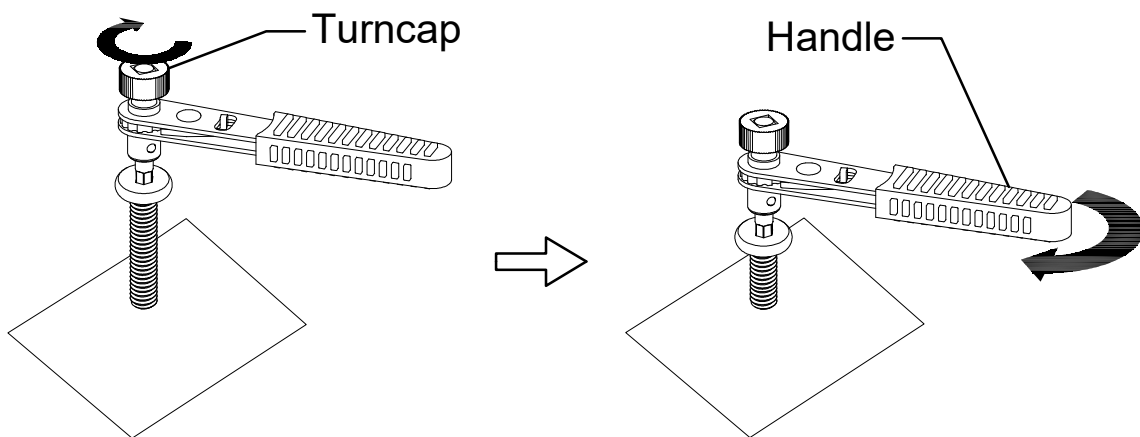
How to Use the Ratchet Tool (4)

1. Before assembling the furniture, please adjust the lock as needed.

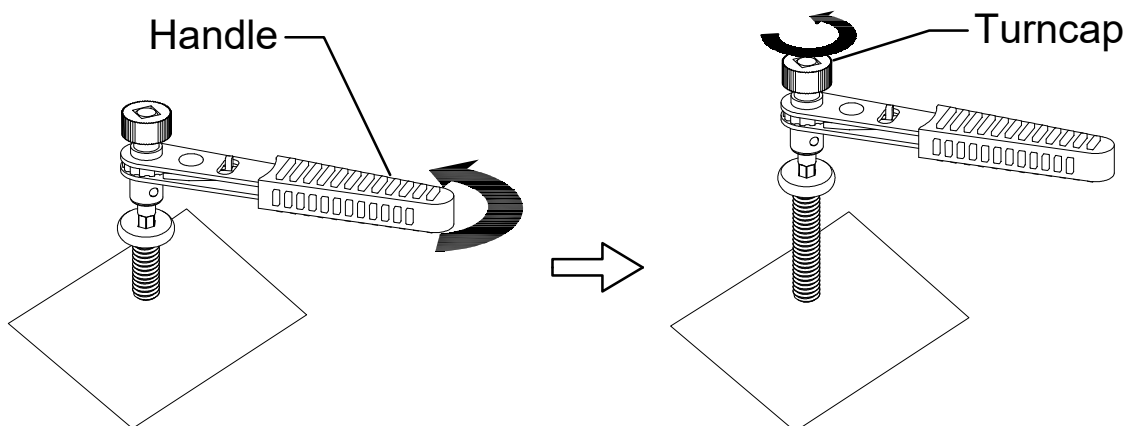


2. Tighten or loosen bolts.

- **Tighten bolts:** Locate the turncap and rotate it clockwise to screw the bolt quickly until it cannot be rotated any more. Then start rotating the handle clockwise to finalize tightening the bolt.

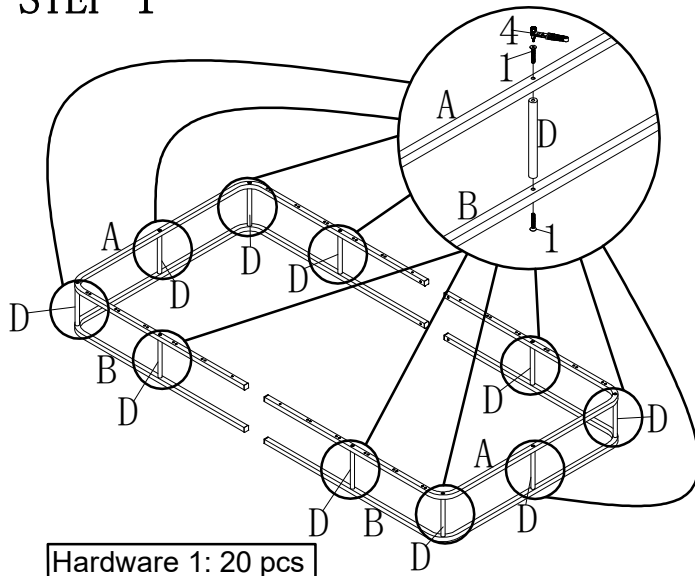


- **Loosen bolts:** Rotate the handle counterclockwise to loosen the bolt. Then continue rotating the turncap in the same direction to remove the bolt completely.

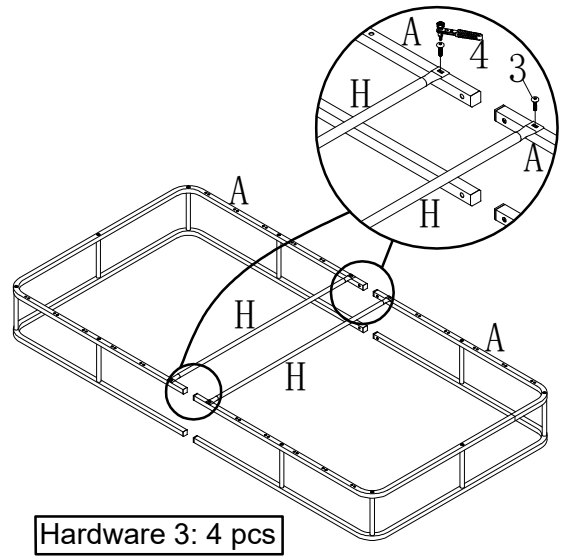


Note: Please do not tighten all bolts until the bed is assembled completely.

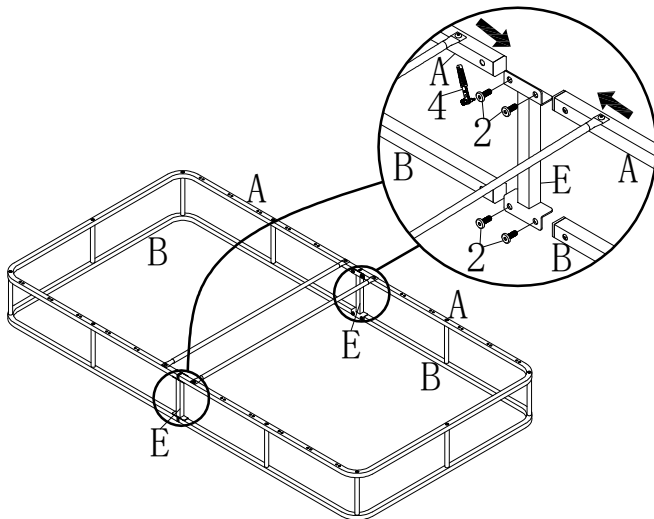
STEP 1



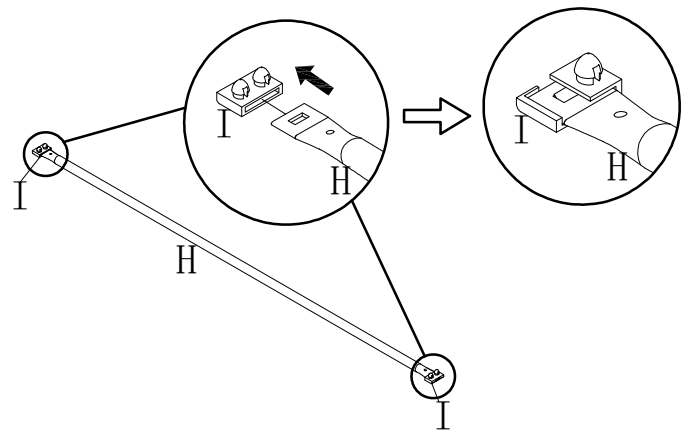
STEP 2



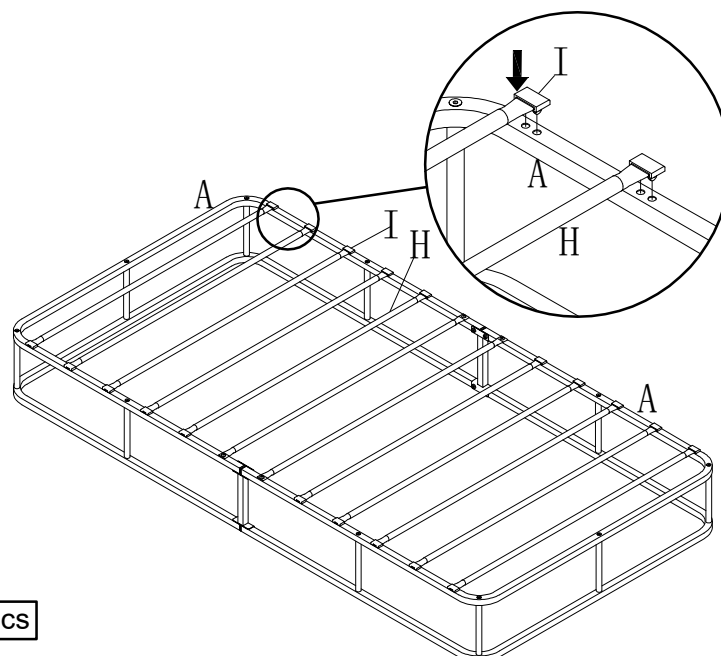
STEP 3



STEP 4

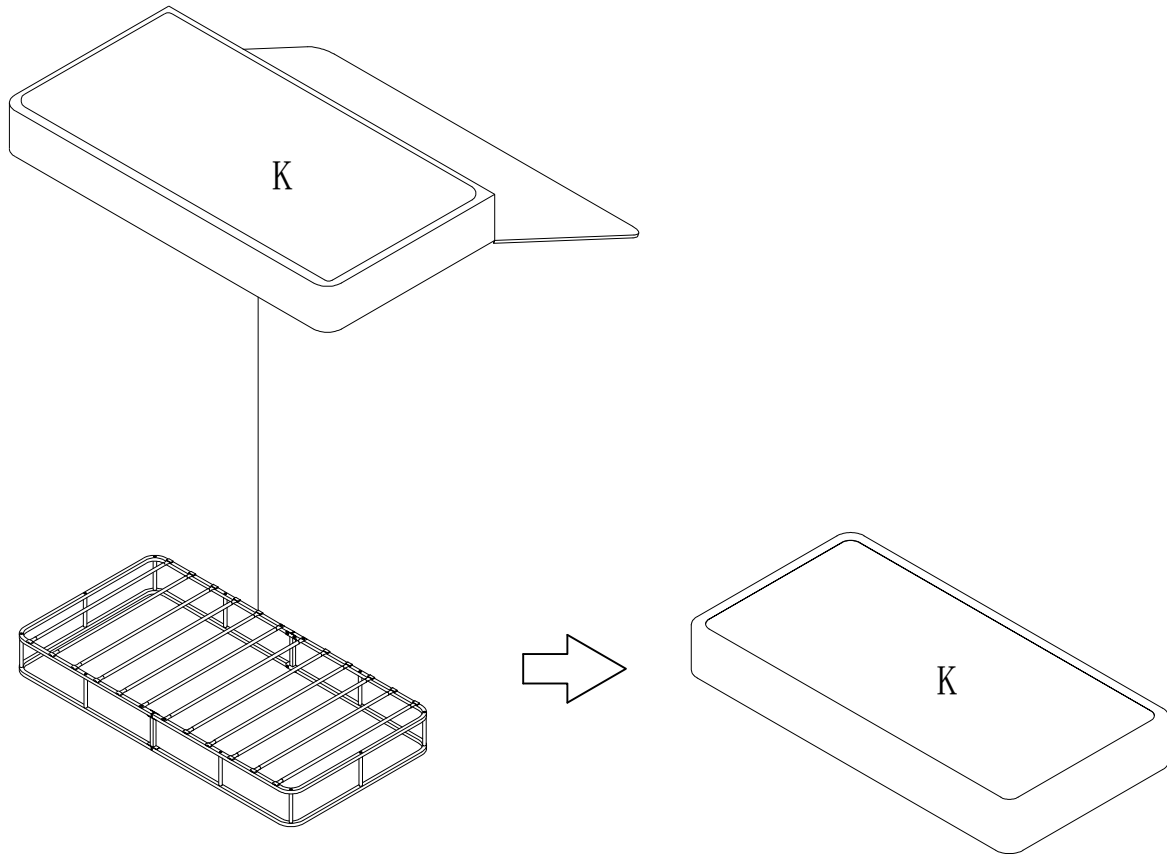


STEP 5

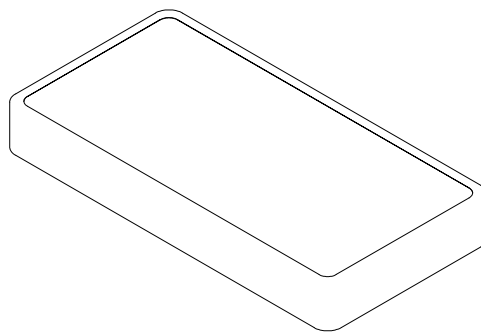


Note: Please do not tighten all bolts until the bed is assembled completely.

STEP 6



COMPLETED



For items use on wooden floor, hard surfaces or carpets, it is recommended to install protective pads under all legs and supports to avoid/prevent from damages/scratches and discoloration.