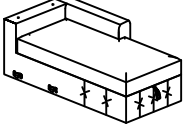
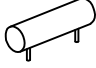
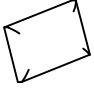
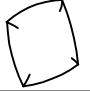






ASSEMBLY INSTRUCTION

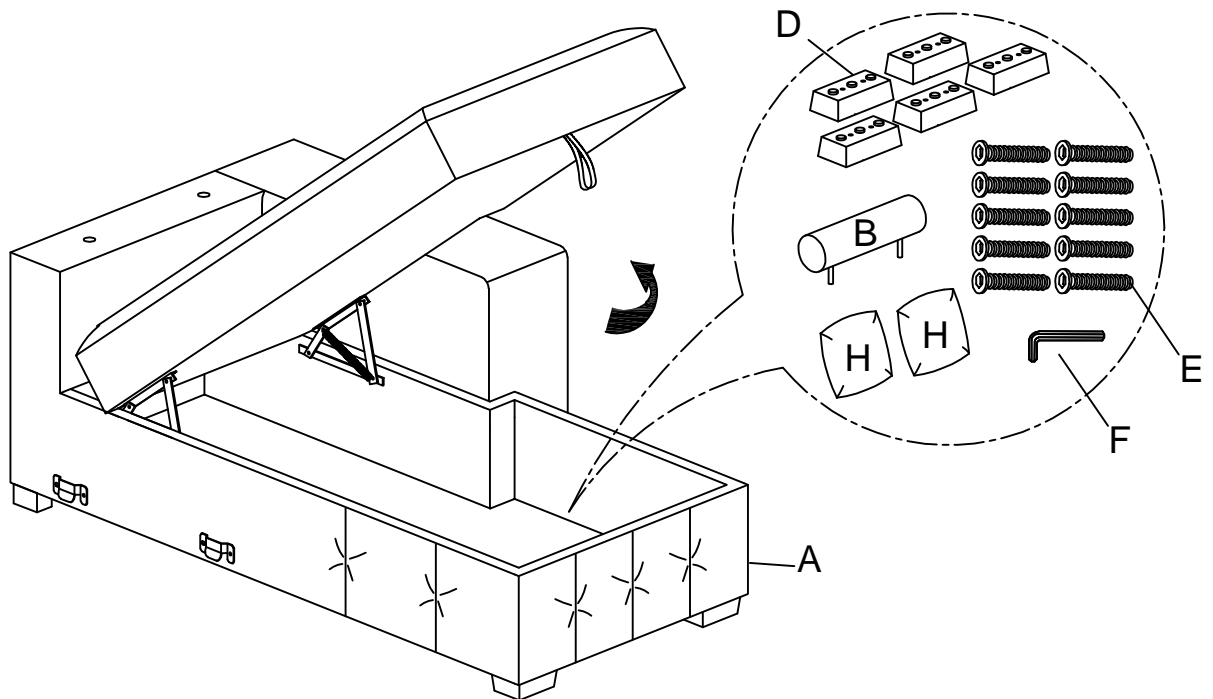
ITEM NO: 9624GY-RC/9624BU-RC /9624TP-RC
Right Side Chaise with Hidden Storage, 4pillows

LEGS, HARDWARE, PILLOW GEOMETRIC (2PCS) AND HEADREST ARE STORED IN THE BOTTOM OF THE SEAT, PLEASE TAKE OUT FOR ASSEMBLY.

NO.	PARTS LIST	QTY	DESCRIPTION
A		1	SEAT FRAME
B		1	HEADREST
C		1	CHAIR BACK CUSHION
G	 21"*21"	2	PILLOW BU/GY/TP
H	 21"*21"	2	PILLOW BU/GY/TP GEOMETRIC

NO.	HARDWARE LIST	QTY	DESCRIPTION
D	 248*100*45mm	5	WOODEN LEGS
E	 M8*50mm	10	ALLEN BOLT
F	 M5*100*38mm	1	ALLEN KEY

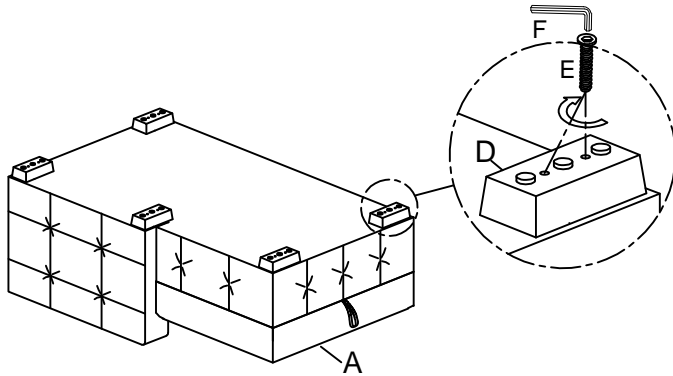
STEP # 1: Pillow (H) 2pcs are for 9624BU-2L or 9624GY-2L or 9624TP-2L.



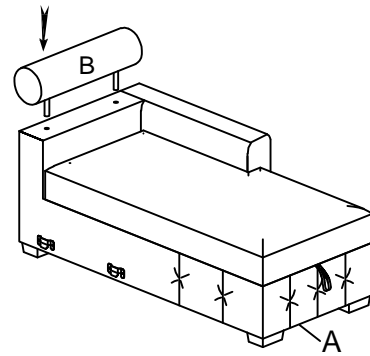
ASSEMBLY INSTRUCTION

ITEM NO: 9624GY-RC/9624BU-RC /9624TP-RC
Right Side Chaise with Hidden Storage, 4pillows

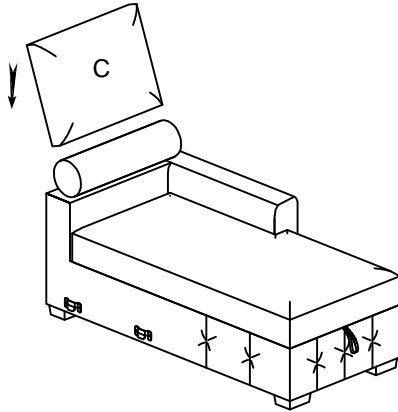
STEP # 2:



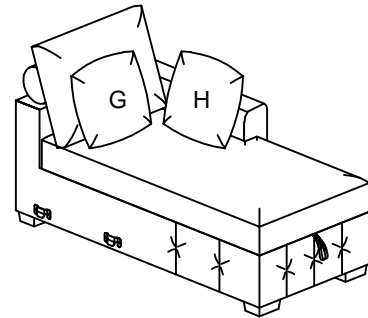
STEP # 3:



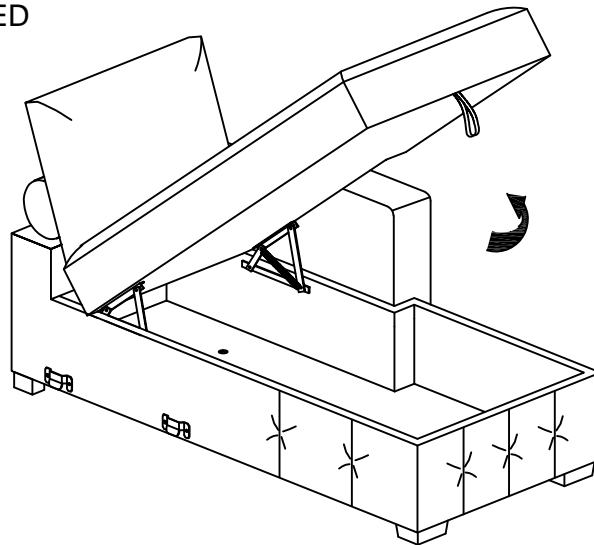
STEP # 4:



STEP # 5:



STEP # 6: COMPLETED



CARE INSTRUCTION FOR FABRIC FURNITURE

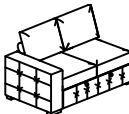
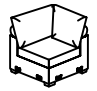
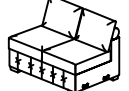
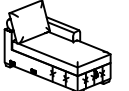
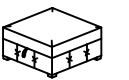
In order to maintain the original appearance of your fabric furniture, please follow below simple care procedures.

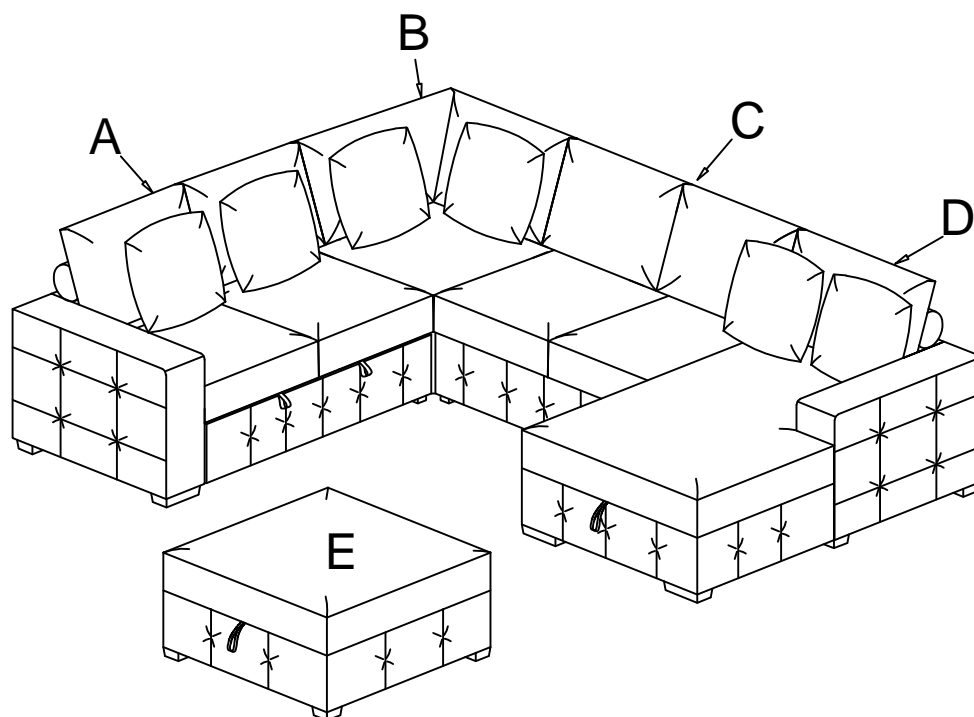
°Avoid exposing furniture directly to sunlight or heating and air conditioning outlets. Exposure to sunlight or heating and air conditioning outlets will fade/damage fabric.

°Wipe gently with a damp soft cloth to remove dust, dirt and any grime build up.

ASSEMBLY INSTRUCTION

LEGS, HARDWARE, PILLOW GEOMETRIC (2PCS) AND HEADREST ARE STORED IN THE BOTTOM OF THE SEAT, PLEASE TAKE OUT FOR ASSEMBLY.

NO.	PARTS LIST	QTY	DESCRIPTION
A		1	9624GY-2L/9624BU-2L/9624TP-2L
B		1	9624GY-CR/9624BU-CR/9624TP-CR
C		1	9624GY-2A/9624BU-2A/9624TP-2A
D		1	9624GY-RC/9624BU-RC/9624TP-RC
E		1	9624GY-4/9624BU-4/9624TP-4



CARE INSTRUCTION FOR FABRIC FURNITURE

In order to maintain the original appearance of your fabric furniture, please follow below simple care procedures.

°Avoid exposing furniture directly to sunlight or heating and air conditioning outlets. Exposure to sunlight or heating and air conditioning outlets will fade/damage fabric.

°Wipe gently with a damp soft cloth to remove dust, dirt and any grime build up.