



Assembly Instruction

ITEM NO.: 9601GY-3

Double Reclining Sofa

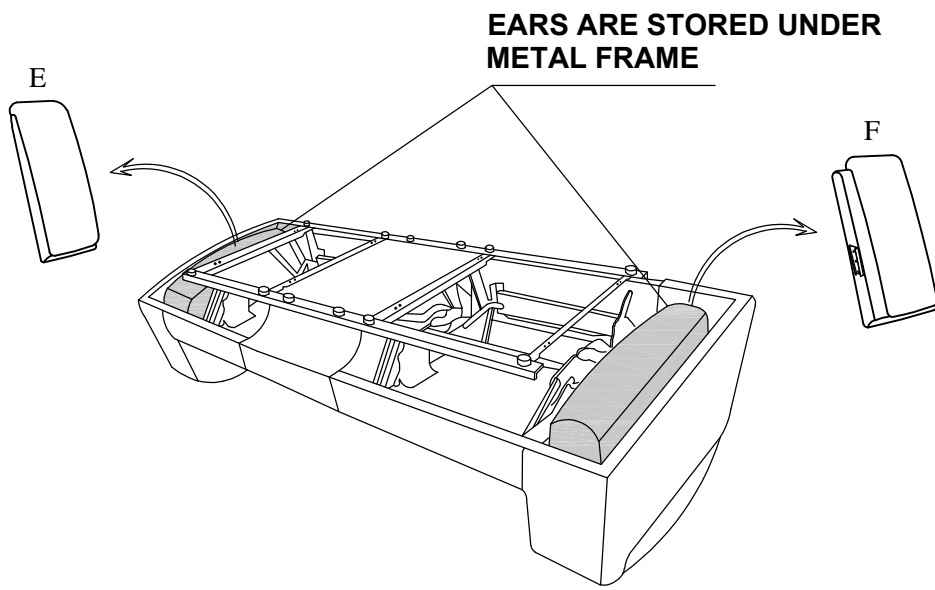


Note: Do not use power tools for assembly. Power tools increase the risk of over tightening which lead to splitting or cracking the wood.

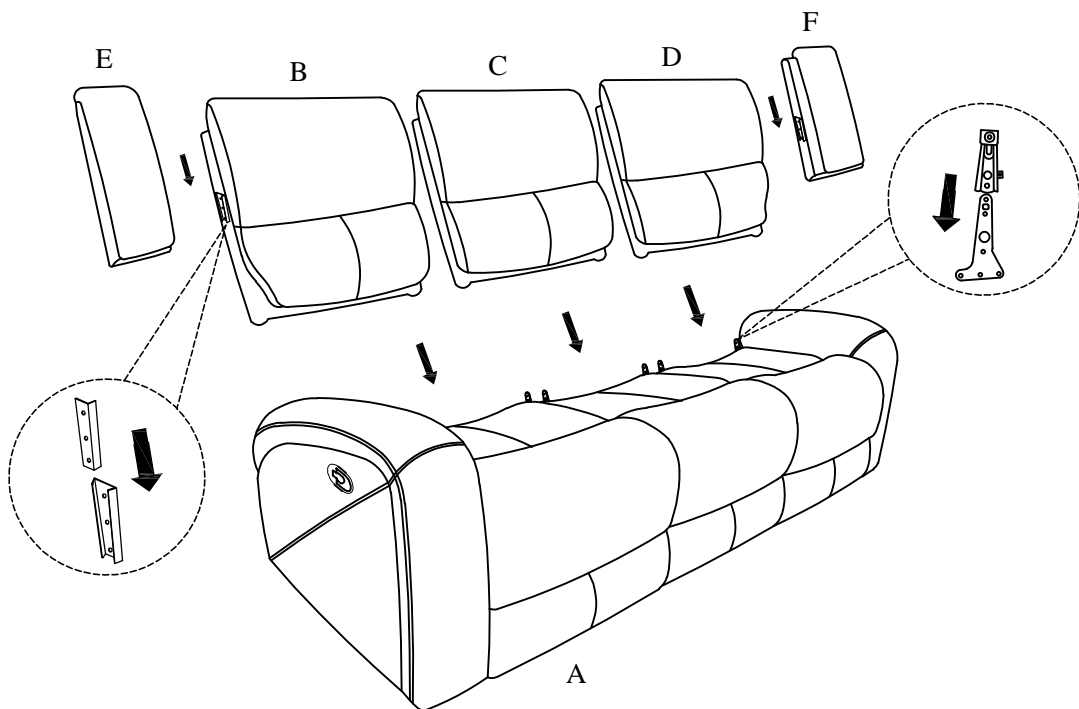
Component list

No	Drawing	Qty	Description
A	A line drawing of a long, rectangular sofa seat with tufted cushions and a reclining mechanism on the left side.	1	SEAT
B	A line drawing of a rectangular back rest cushion with a tufted center section.	1	LSF BACK REST
C	A line drawing of a rectangular back rest cushion with a tufted center section, similar to component B.	1	MIDDLE BACK REST
D	A line drawing of a rectangular back rest cushion with a tufted center section, similar to component B.	1	RSF BACK REST
E	A line drawing of a small, rectangular earrest cushion.	1	LSF EAR
F	A line drawing of a small, rectangular earrest cushion, similar to component E.	1	RSF EAR

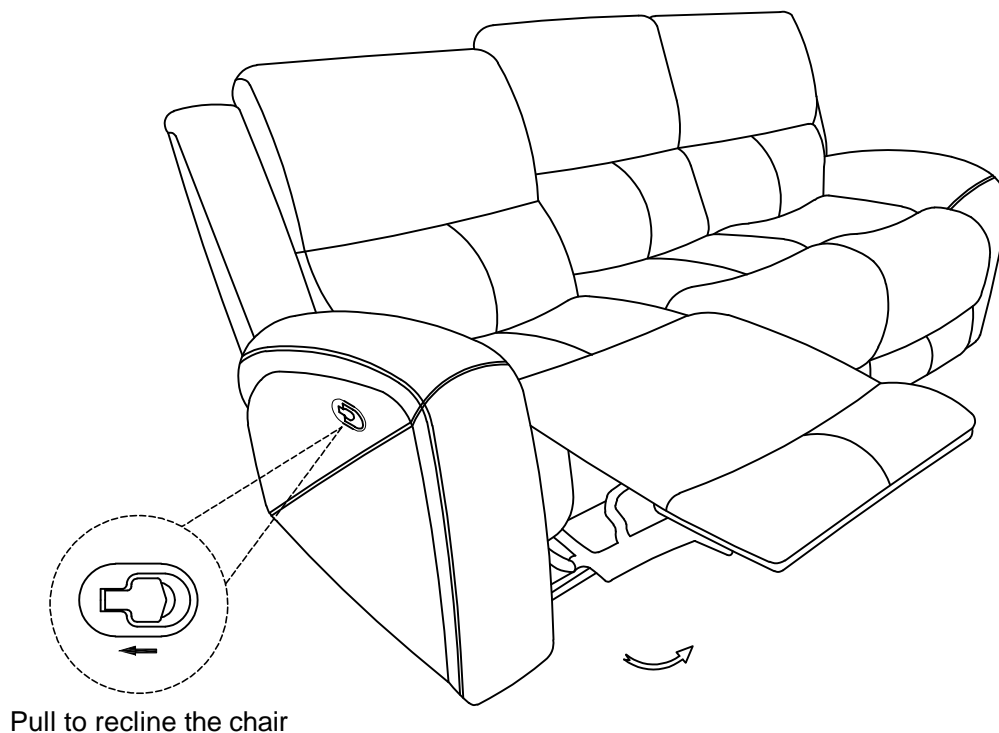
Step #1



Step #2



Step #3



Care Instruction for Polished Microfiber Furniture:

In order to maintain the original appearance of your Polished Microfiber Furniture, please follow below simple care procedures:

- Avoid exposing furniture directly to sunlight or heating and air conditioning outlets. Sunlight and or exposure to heating and air conditioning outlets will fade/damage Polished Microfiber.
- Vacuum or wipe with a soft cloth to remove dust.
- Hardware may loosen over time. Periodically check to make sure all connection are tight, Re-tighten if necessary.



For items use on wooden floor, hard surfaces or carpets, it is recommended to Install protective pads under all legs and supports to avoid/prevent from damages/scratches and discoloration.