



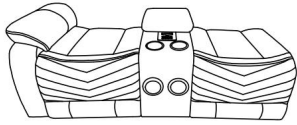
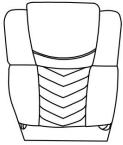

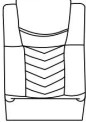

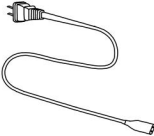
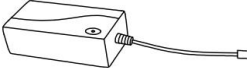

ASSEMBLY INSTRUCTION

ITEM NO: 9508DB-2LCNSPW

(1/3)Left Side Power Reclining Love Seat with Center Console, Speakers, Subwoofer and LED Lighting

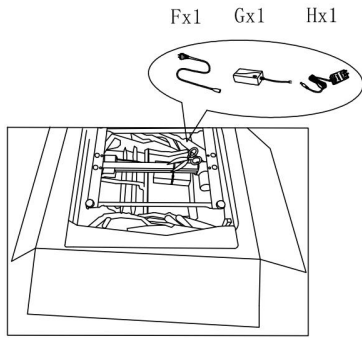
NOTE: Do not use power tools for assembly. Power tools increase the risk of over tightening which lead to splitting or cracking the wood.

COMPONENT LIST

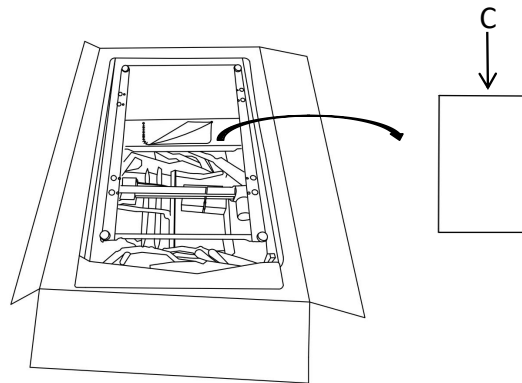
NO.	DRAWING	QTY	DESCRIPTION
A		1	SEAT BASE
B		1	LSF BACKREST
C		1	CONSOLE BACKREST
D		1	RSF BACKREST
E		1	LSF EAR
F		1	PLUG WITH WIRE
G		1	ADAPTER
H		1	POWER SUPPLY

Please follow the drawings below to assemble the item.

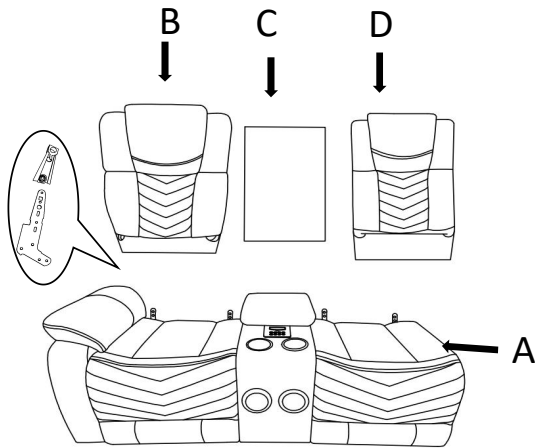
Step 1. The power supply and plug are attached at the bottom, please take them out before use.



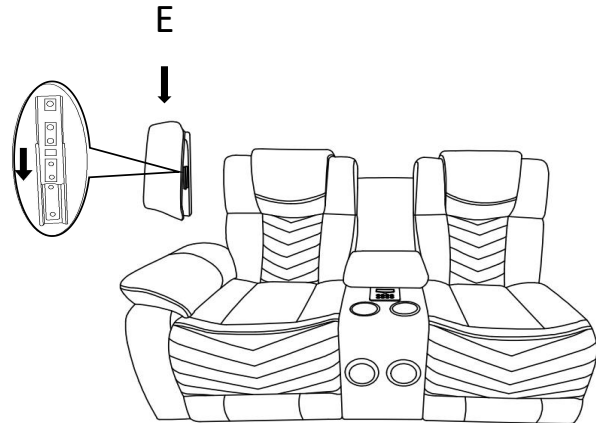
Step 2. Console backrest is stored in plastic bag at the bottom of the console. Please take out for assembly.



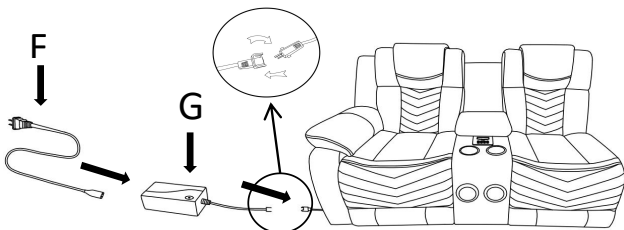
Step 3. Align the female brackets at the backrest onto the male brackets at the seat, insert and push to the end, make sure the brackets are secured in position.



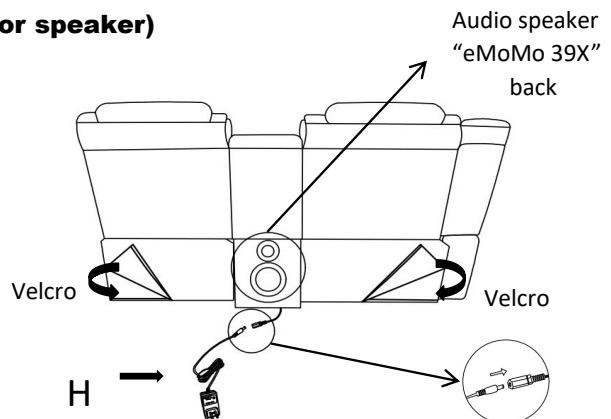
Step 4. Insert the LSF ear to the LSF backrest and make sure it is secured in position.



Step 5. Connect the parts together. (For reclining seat)

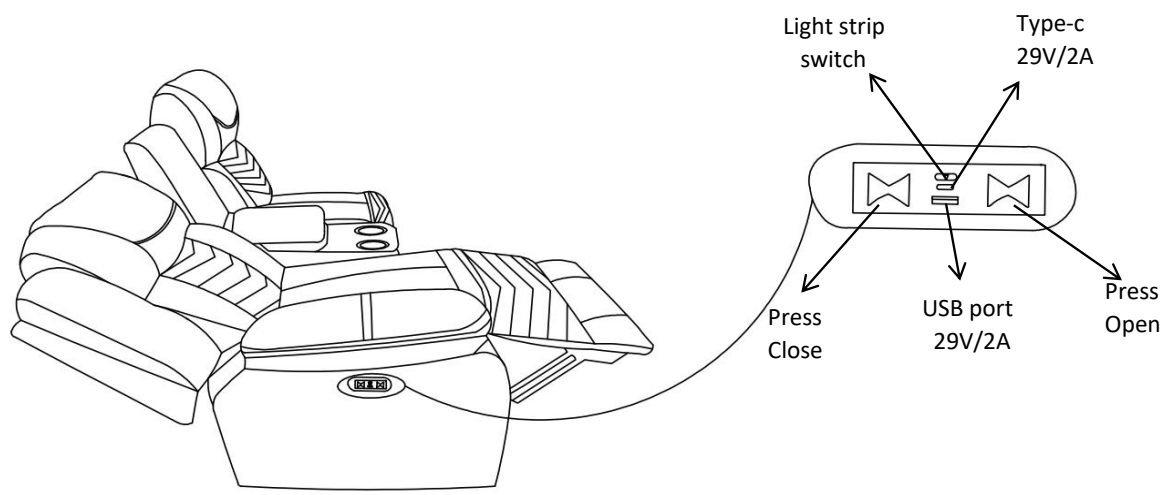
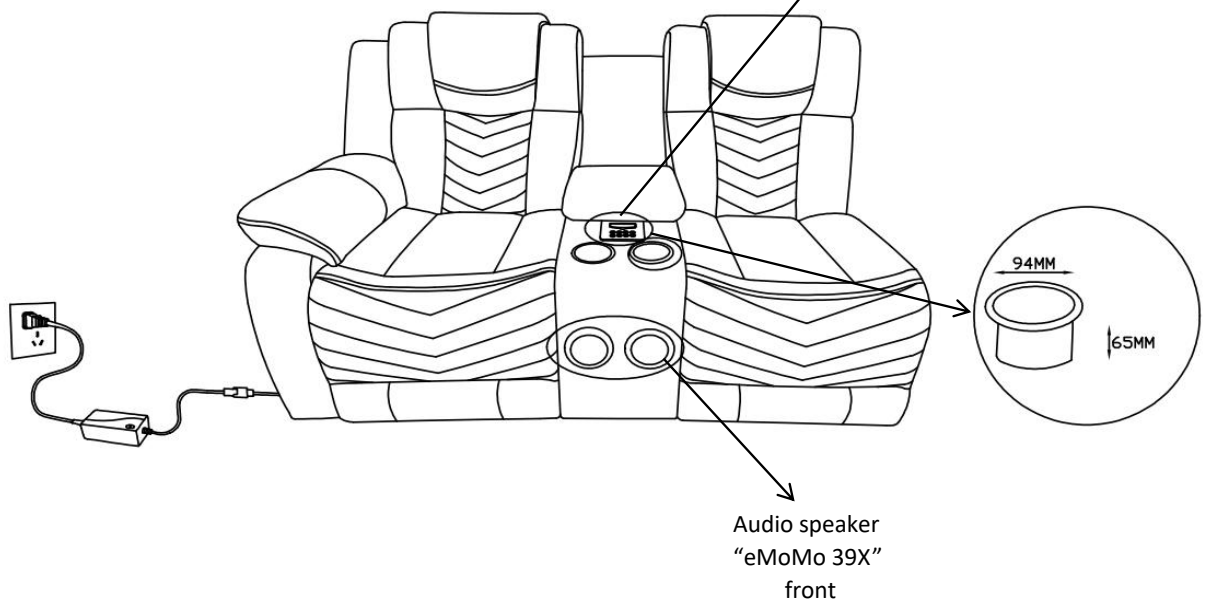
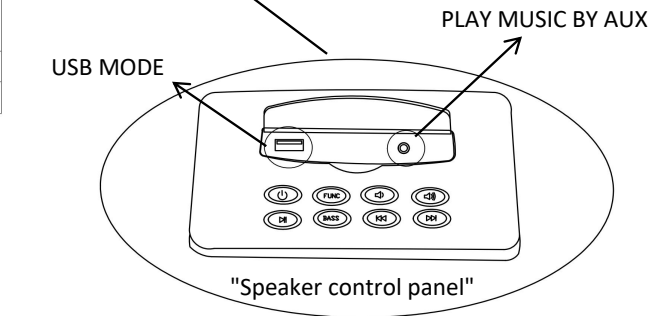


Step 6. Connect the parts together. (For speaker)



Step 7. Completed.

Number	Icon	Function
1	⏻	Press to turn the docking station on/off
2	FUNC	Press to switch from BT mode to USB mode or AUX mode.
3	🔊	Decrease the volume.
4	🔊	Increase the volume.
5	⏮	Play or pause the music track.
6	BASS	"Bass adjustment, two stalls, shift bass output to 50% or 100%"
7	⏭	Touch to skip to the next track.
8	⏪	Touch to skip to the previous track.



CARE INSTRUCTION FOR LEATHER GEL/PVC FURNITURE

In order to maintain the original appearance of your leather gel furniture, please follow below simple care procedure:

- Avoid exposing furniture directly to sunlight or heating and air conditioning outlets. Exposure to sunlight or heating and air conditioning outlets will fade/damage leather gel/PVC .
- Wipe gently with a damp soft cloth to remove dust dirt and any grime build up.

WARNING

- Disconnect the electrical plug from the wall outlets before cleaning, moving, servicing or when not in use for an extended period of time.
- Plug directly into a wall outlet. Do not use an extension cord or adaptor.
- Check the condition of the power transformers, electrical cords, plugs and connectors monthly. Keep the power adapter and electrical cords away from heat sources. Never operate the unit with a damaged power adapter, electrical cord, plug or connector.
- Before moving the product, please disconnect the electrical plug from the wall outlet and secure the mechanism to prevent unexpected opening or movement. Never move the product by the mechanism, legrest, handle, or reclining back.
- Do not attempt to disassemble or service the adaptor or motor. No serviceable parts are inside.
- Do not allow electrical cord to be pinched between moving parts or between the frame and the floor. Do not place cord under carpet or in location where it could become worn.
- Unplug the power cord immediately if you detect strange odors or fumes coming from the chair.

PLEASE KEEP ASSEMBLY INSTRUCTION FOR FRUTURE REFERENCE