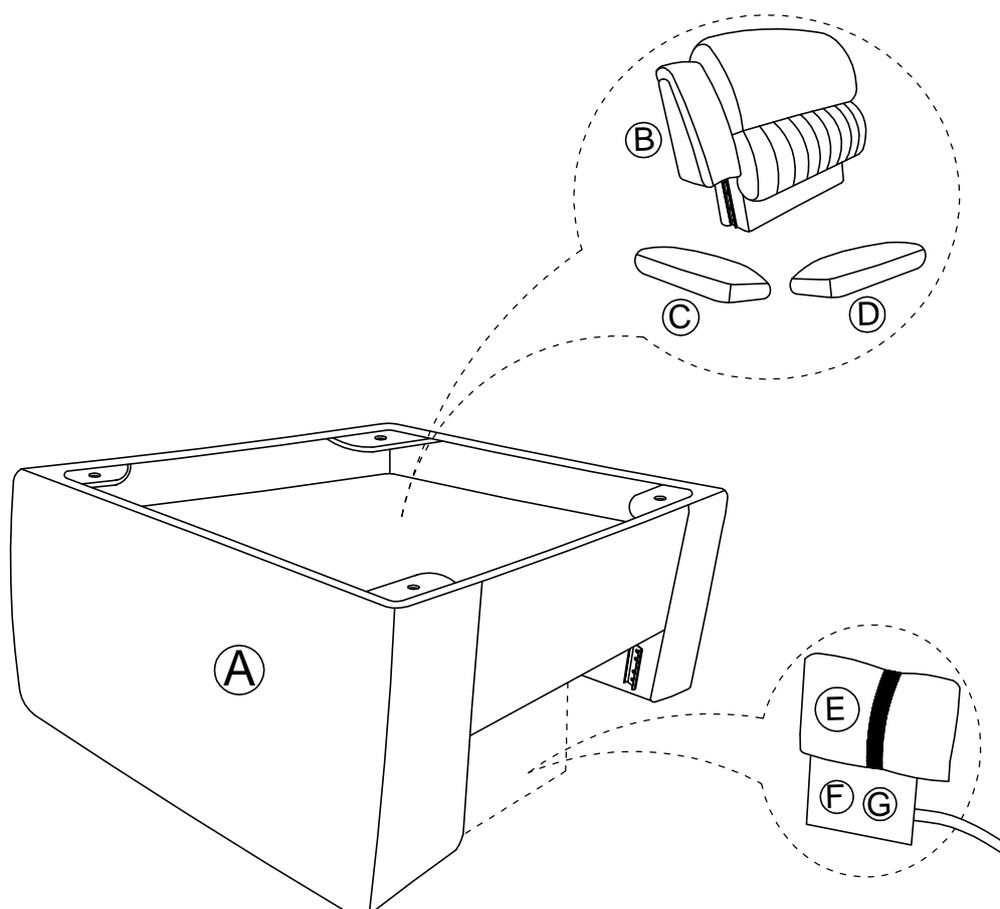


# ASSEMBLY INSTRUCTION

ITEM NO: 9333GY-1/ 9333DG-1/ 9333BU-1 CHAIR.

NO.	PARTS LIST	QTY	DESCRIPTION	NO.	PARTS LIST	QTY	DESCRIPTION
A		1	Seat Frame	E		4	Plastic Leg
B		1	Back Rest	F		4	Allen Bolt ØM8*60
C		1	Left Arm Rest	G		1	Allen Key M5*100*38mm
D		1	Right Arm Rest				

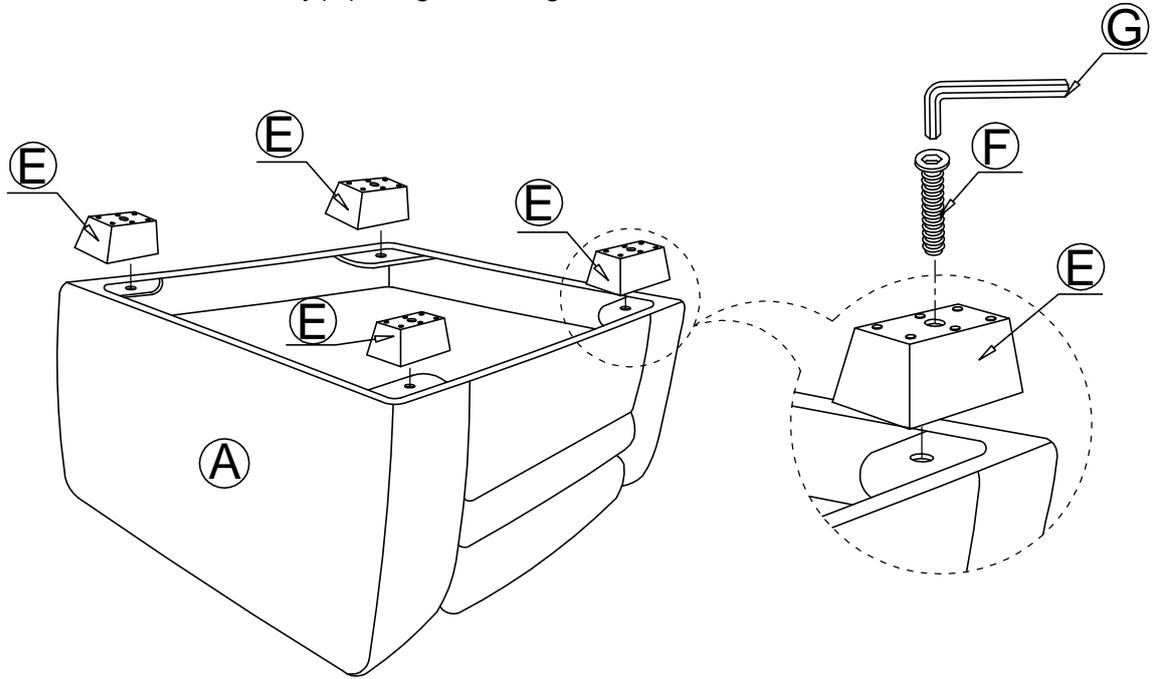
**STEP 1:** Take out Back Rest(B), Left Arm Rest(C), Right Arm Rest(D), from Seat Frame(A). Take out Plastic Legs(E), Allen Bolts(F) and Allen Key(G) from the back of Seat Frame(A).



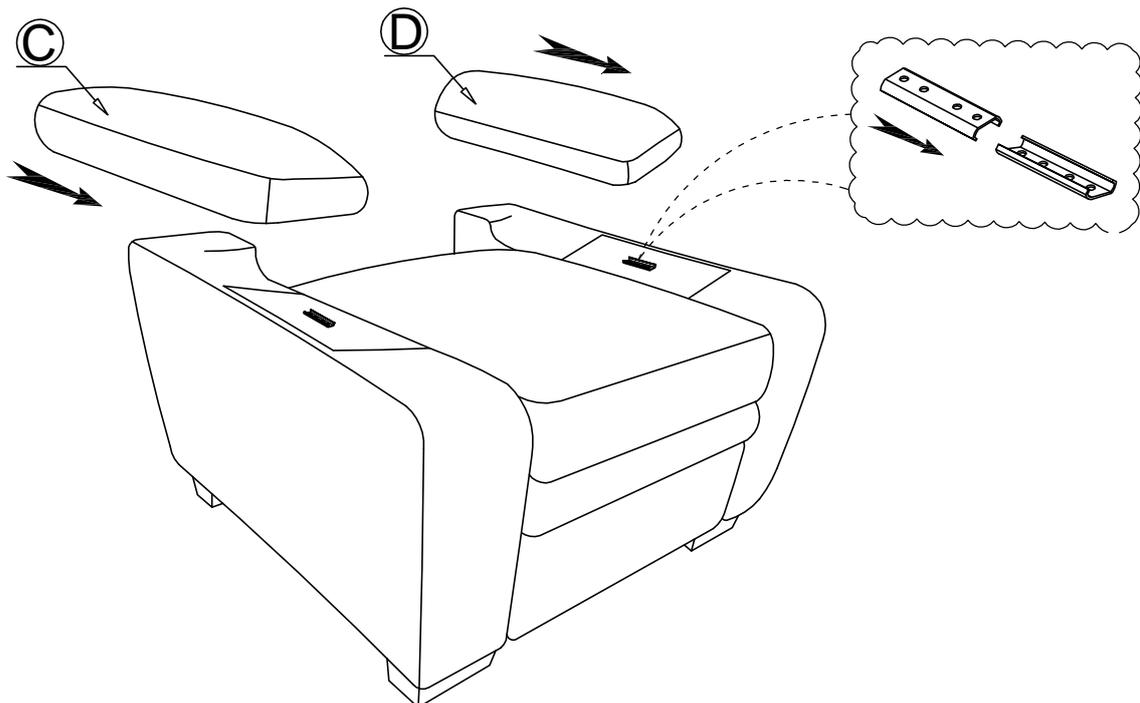
# ASSEMBLY INSTRUCTION

ITEM NO: 9333GY-1/ 9333DG-1/ 9333BU-1 CHAIR.

**STEP 2:** Align Plastic Leg(E) to the pre-drilled holes, insert Allen Bolts(F), then use Allen Key(G) to tight the Legs.



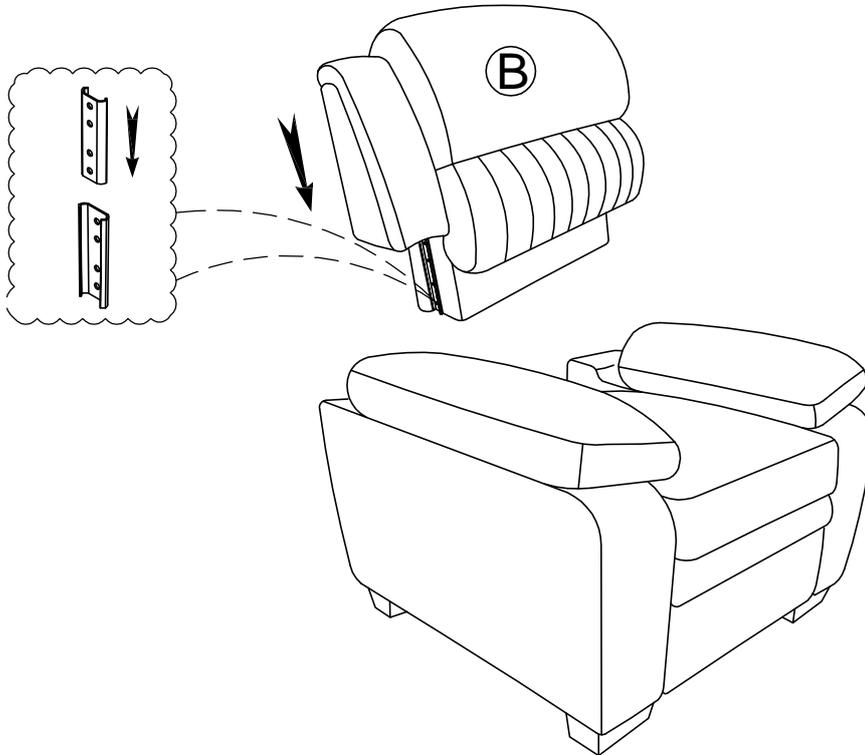
**STEP 3:** Insert the Left Arm Rest(C), Right Arm Rest(D) to Seat Frame(A). Ensure they are correctly in place.



# ASSEMBLY INSTRUCTION

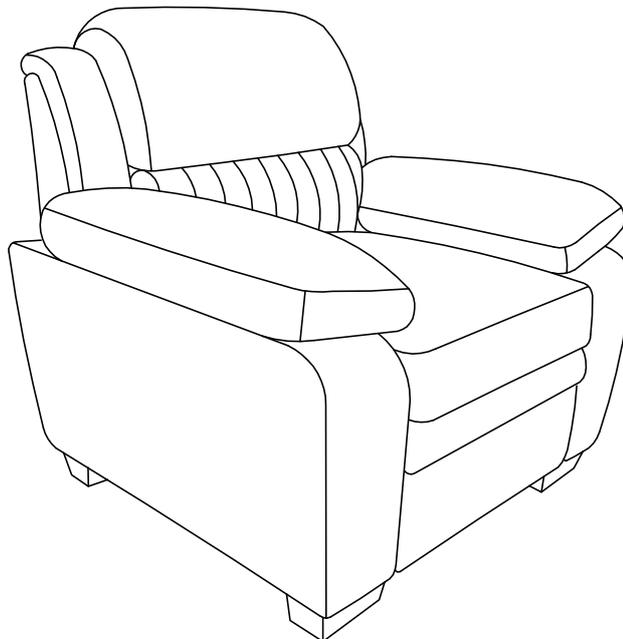
ITEM NO: 9333GY-1/ 9333DG-1/ 9333BU-1 CHAIR.

**STEP 4:** Insert the Back Rests(B) to Seat Frame(A). Ensure it is correctly in place.



**STEP 5:**

Assembly completed.



**CARE INSTRUCTION FOR FABRIC FURNITURE**

In order to maintain the original appearance of your fabric furniture, please follow below simple care procedures.

°Avoid exposing furniture directly to sunlight or heating and air conditioning outlets. Exposure to sunlight or heating and air conditioning outlets will fade/damage fabric.

°Wipe gently with a damp soft cloth to remove dust, dirt and any grime build up.