



Assembly Instruction

ITEM NO.: 8549BRW-2

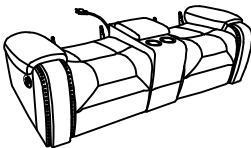






Double Glider Reclining Love Seat with Center Console, Receptacles and Charging Ports



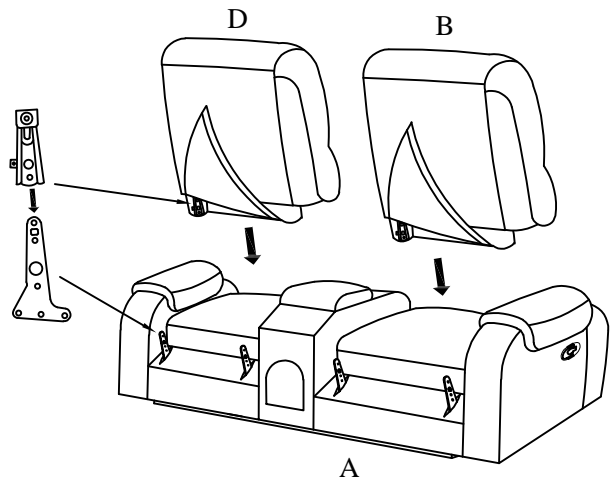
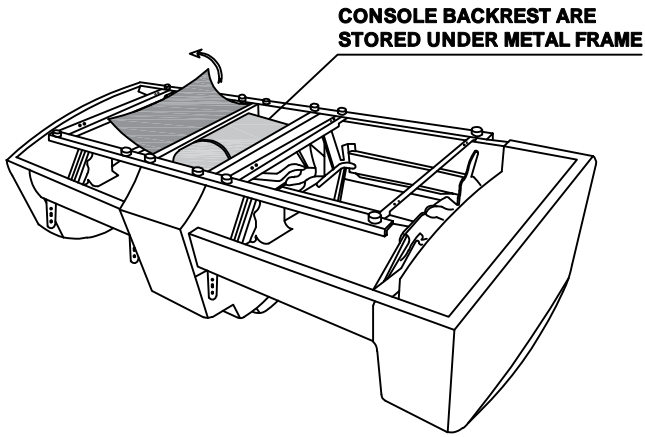
Wings are stored at the bottom of Love seat, please take out for assembly.

Note: Do not use power tools for assembly. Power tools increase the risk of over tightening which lead to splitting or cracking the wood.

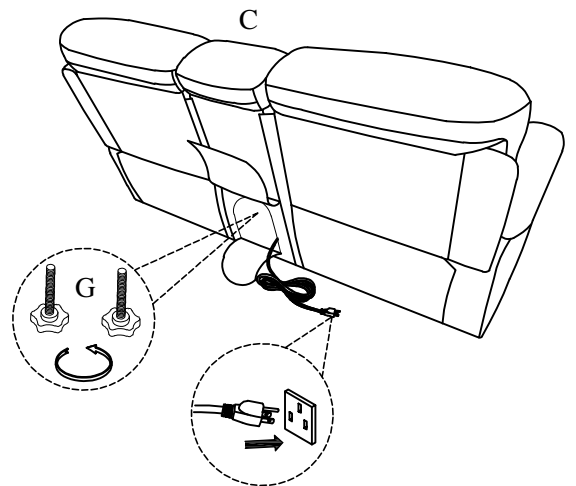
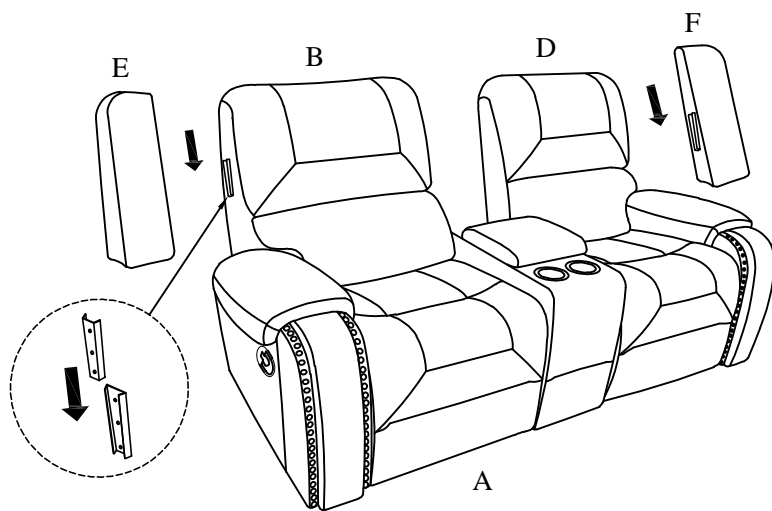
Component list

No	Drawing	Qty	Description
A		1	SEAT
B		1	LSF BACK REST
C		1	CONSOLE BACK REST
D		1	RSF BACK REST
E		1	LSF WING
F		1	RSF WING
G		2	KNOB SCREWS

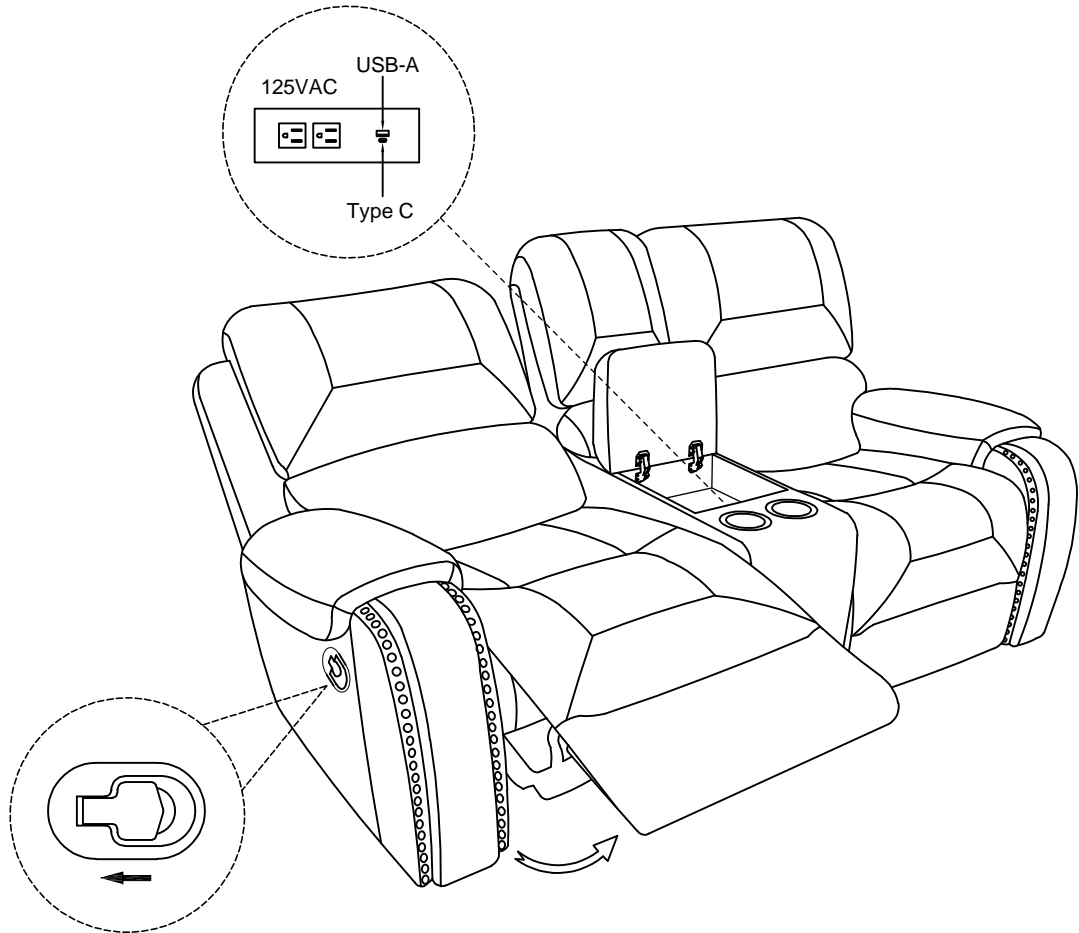
Step #1



Step #2

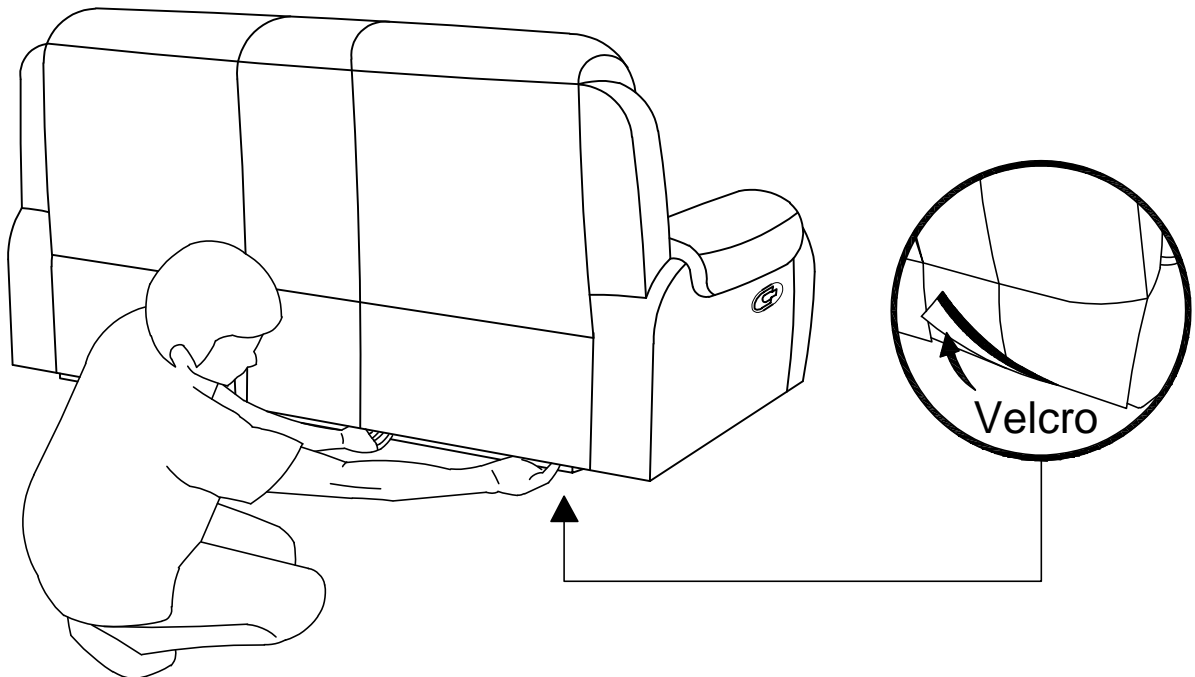


Step #3

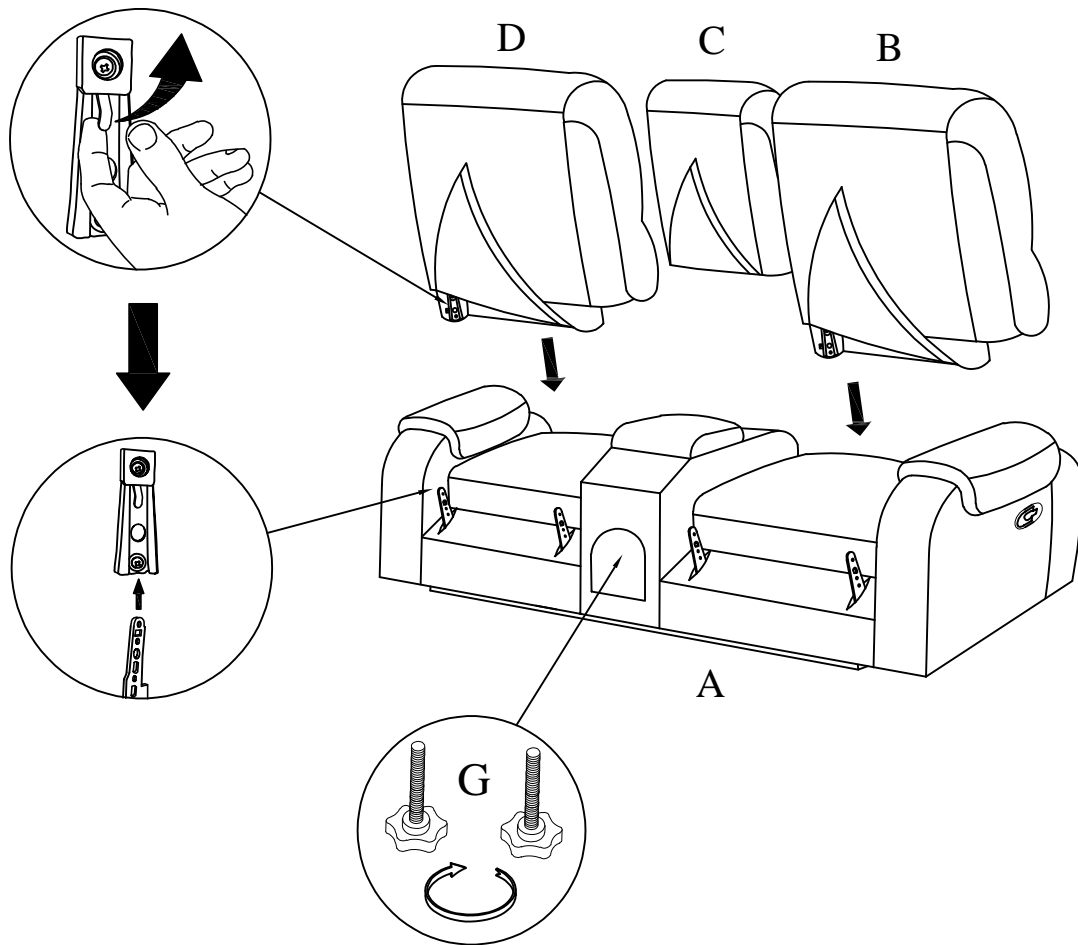


Pull to recline the chair

Disassemble the back Step 1 Back Rest Remove



Step #2 To unlock the back of the recliner from its base,
push up on the small metal hook built into the side of the recliner



Care Instruction for Leather Air Furniture:

In order to maintain the original appearance of your Leather Air Furniture, please follow below simple care procedures:

- Avoid exposing furniture directly to sunlight or heating and air conditioning outlets. Sunlight and or exposure to heating and air conditioning outlets will fade/damage Leather Air.
- Vacuum or wipe with a soft cloth to remove dust.
- Hardware may loosen over time. Periodically check to make sure all connection are tight, Re-tighten if necessary.



For items use on wooden floor, hard surfaces or carpets, it is recommended to Install protective pads under all legs and supports to avoid/prevent from damages/scratches and discoloration.

IMPORTANT SAFETY INSTRUCTIONS:

CONSIGNES DE SÉCURITÉ IMPORTANTES:



Important: Read these instruction thoroughly before using

Important : Lire attentivement ces instructions avant d'utiliser

- **Disconnect the electrical plug from the wall outlet before cleaning, moving, servicing or when not is use for an extended period of time.**
- **Déconnecter la connexion électrique de la prise murale avant nettoyage, déménagement, entretien ou quand pas en service pendant une période prolongée de temps.**
- **Plug directly into a wall outlet. Do not use an extension cord or adaptor.**
- **Brancher directement sur une prise murale. Ne pas utiliser une rallonge ou un adaptateur.**
- **Check the condition of the power transfomes, electrical cords, plugs and connectors monthly. Keeps the power adaptor and elctrical cords away from heat sources. Never operate the unit with a damaged power adaptor, electrical cord, plug or connector.**
- **Vérifier l'état des transformateurs de puissance, cordons électriques, fiches et connecteurs mensuellement. Garder l'adaptateur d'alimentation et les cordons d'alimentation toute source de chaleur. N'utilisez jamais l'appareil avec un adaptateur d'alimentation est endommagé, cordon, la fiche ou connecteur.**
- **Before moving the product, please disconnect the electrical plug from the wall outlet and secure the mechanism to prevent unexpected opening or movement. Never move the product by the mechanism, legrest, handle, or reclining back.**
- **Avant de déplacer l'appareil, veuillez déconnecter la connexion électrique de la prise murale et sécuriser le mécanisme pour empêcher l'ouverture inattendue ou mouvement. Ne déplacez jamais produit par le mécanisme, repose-jambes, poignées ou l'arrière inclinable.**
- **Do not attempt to disassemble or service the adaptor or motor. No serviceable parts are inside.**
- **N'essayez pas de démonter ou d'entretenir l'adaptateur ou le moteur. Aucune pièce réparable n'est à l'intérieur.**
- **Do not allow electrical cord to be pinched between moving parts or between the frame and the floor. Do not place cord under carpet or in location where it could become worn.**
- **Ne laissez pas de cordon électrique d'être pincés entre des pièces mobiles ou entre le châssis et le sol. Ne placez pas le cordon sous les tapis ou à l'endroit où il pourrait s'user.**
- **Unplug the power cord immediately if you detect strange odors or fumes coming from the chair.**
- **Débranchez le cordon d'alimentation immédiatement si vous détectez des odeurs étranges ou venant de la présidence.**

FCC Instructions

Caution: Changes or modifications not approved by the party responsible for compliance could void use's authority to operate the equipment.

NOTE: This equipment has been tested and found to comply with the limits for a class B digital device, pursuant to part 15 of the FCC Rules. These limits are designed to provide reasonable protection against harmful interference in a residential installation. This equipment generates, uses and can radiate radio frequency energy and, if not installed and used in accordance with the instructions, may cause harmful interference to radio communications. However, there is no guarantee that interference will not occur in a particular installation. If this equipment does cause harmful interference to radio or television reception, which can be determined by turning the equipment off and on, the user is encouraged to try to correct the interference by one or more of the following measures:

- Reorient or relocate the receiving antenna.
- Increase the separation between the equipment and receiver.
- Connect the equipment into an outlet on a circuit different from that to which the receiver is connected.
- Consult the dealer or an experienced radio/TV technician for help.

This device complies with part 15 of the FCC Rules.
Operation is subject to the following two conditions:
(1) This device may not cause harmful interference, and
(2) this device must accept any interference received,
including interference that may cause undesired operation.

eMoMo Tech(Zhejiang) Co., Ltd
David Bridges
phone:833-371-0225
Address:218 Evitt Parkway Ringgold,GA 30736
Email:US-SERVICE@emomotech.com