

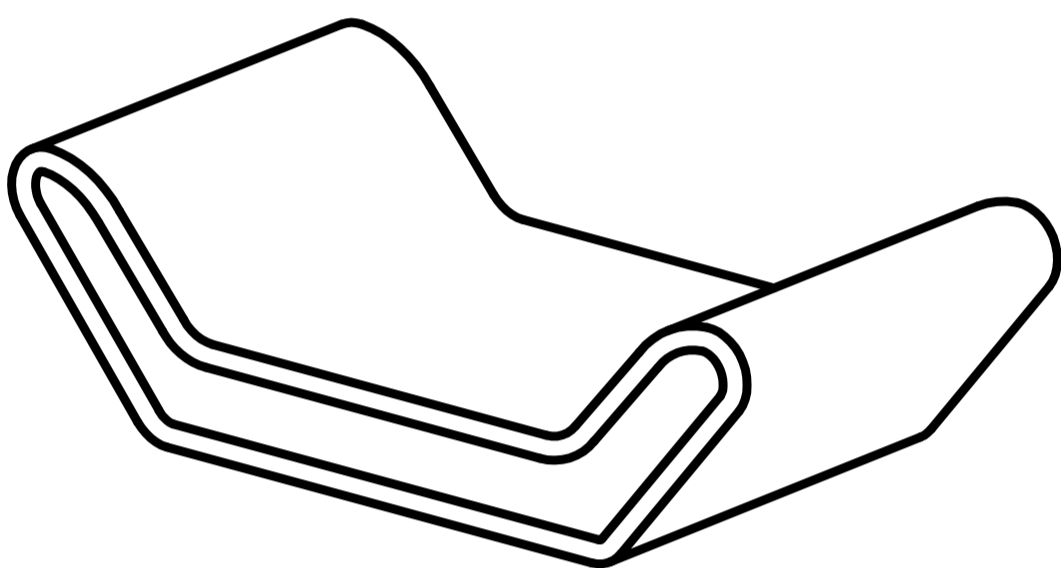
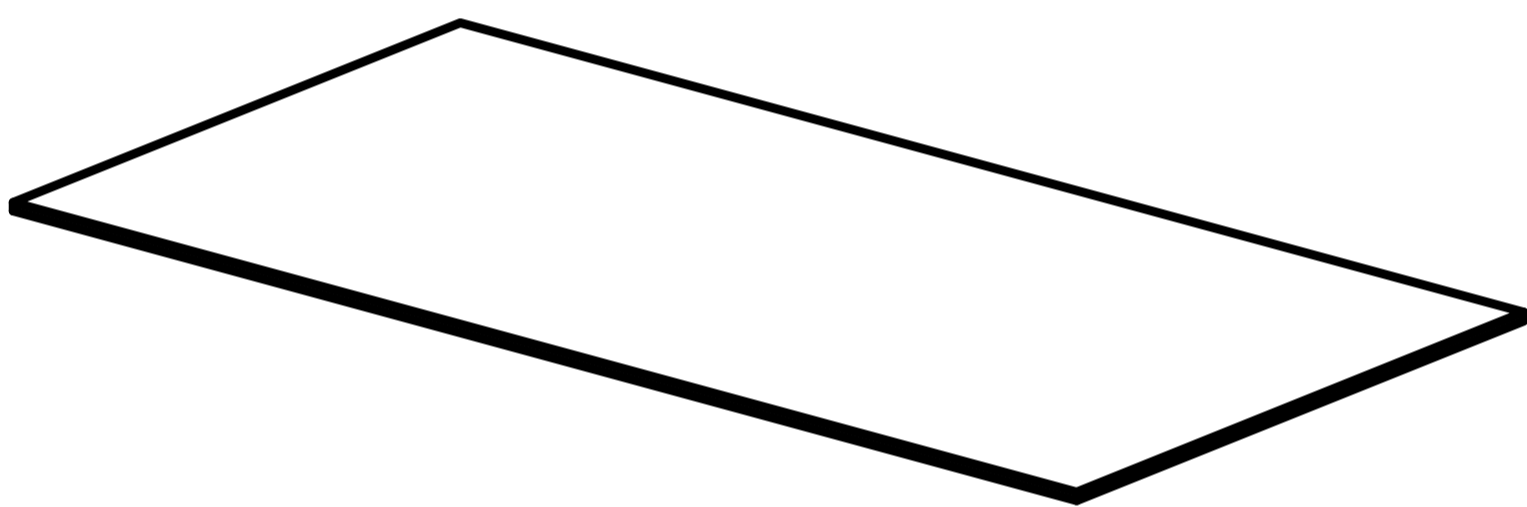
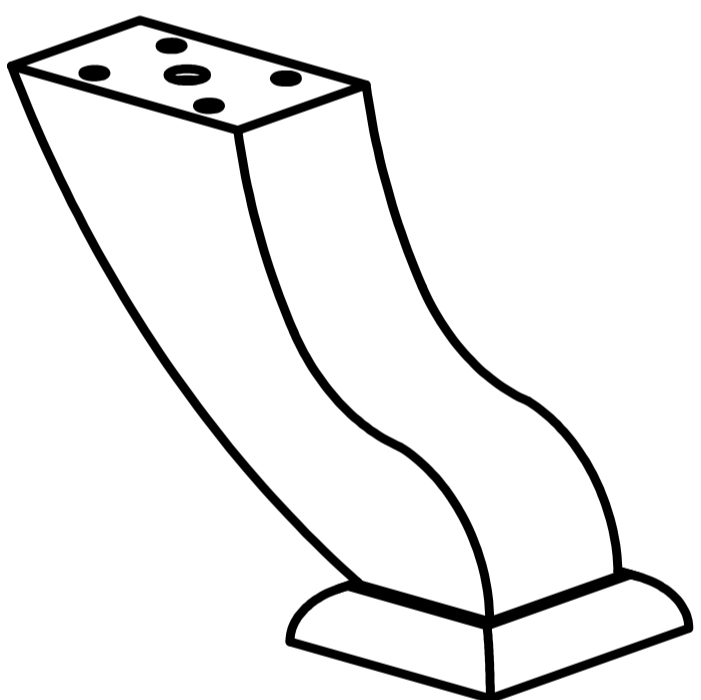
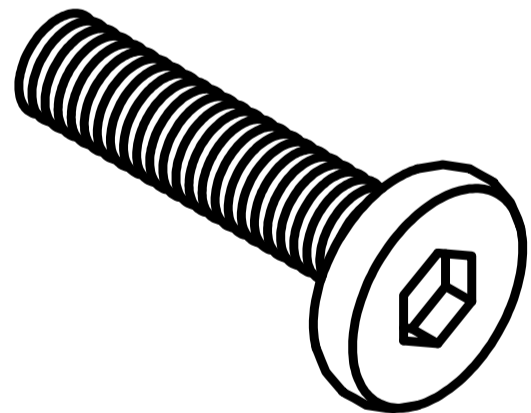
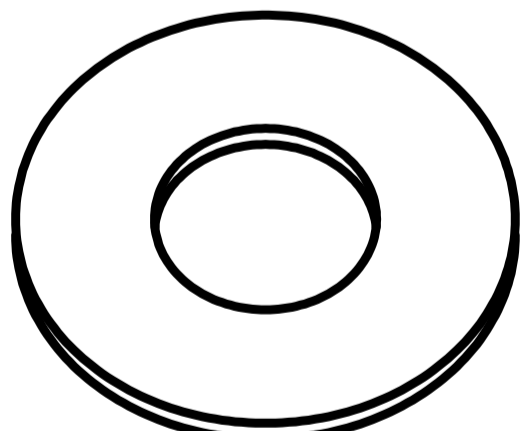

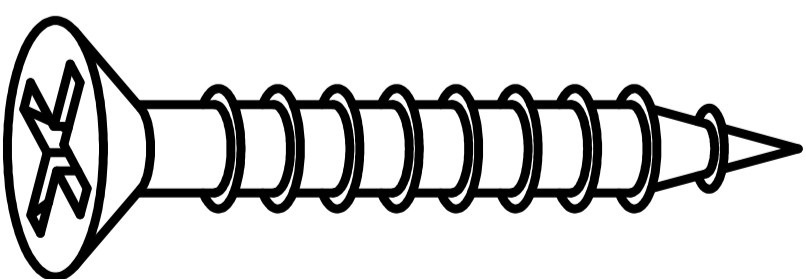
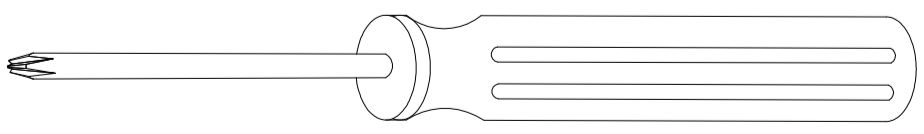
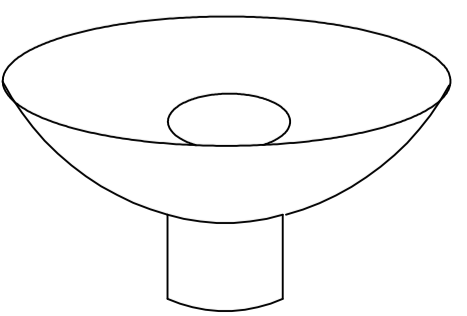


Assembly Instruction COFFEE TABLE

ITEM NO. : 8219RF-30 / 8219RF-30G

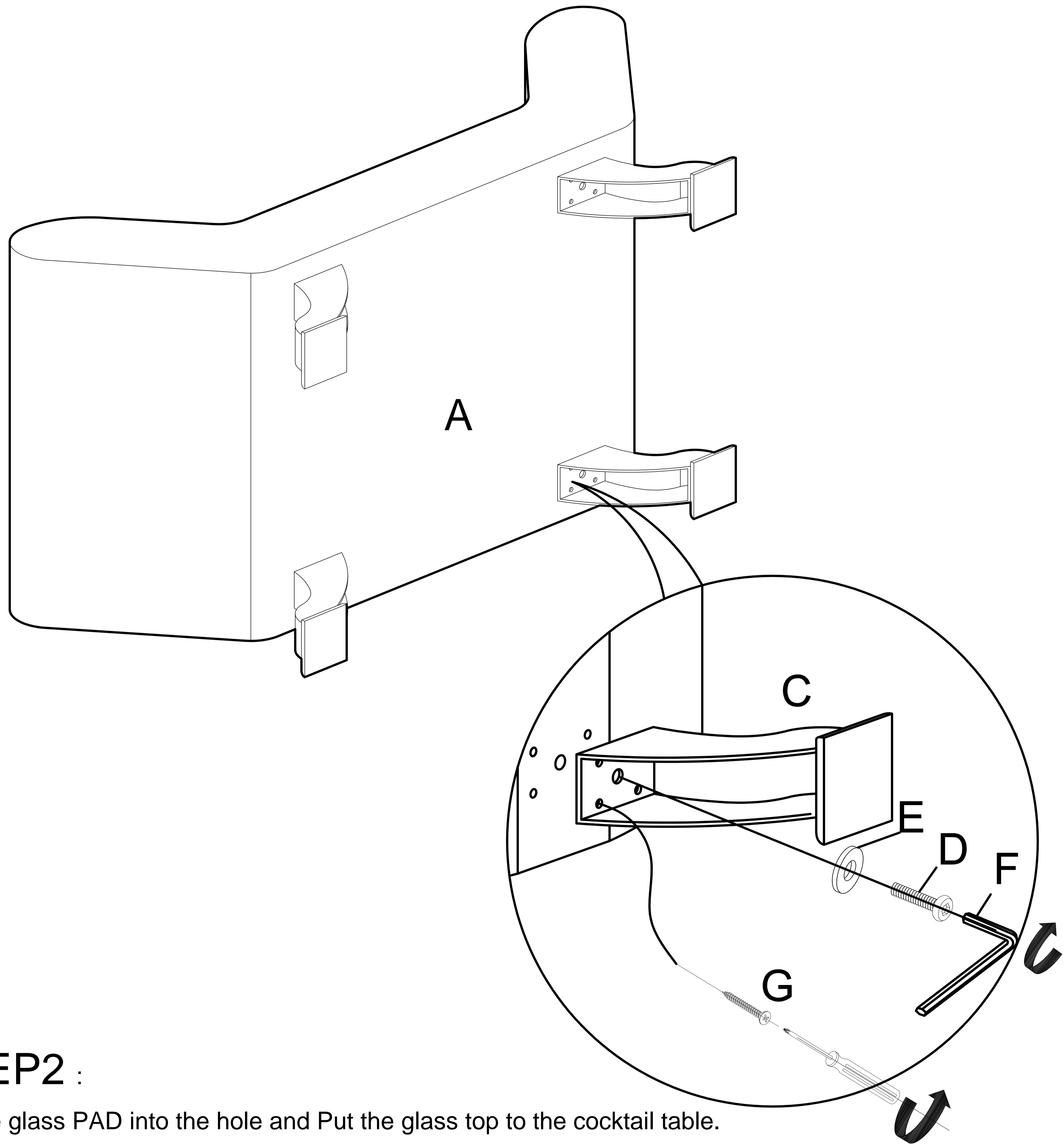
NOTE: Do not use power tools for assembly. Power tools increase the risk of over tightening which lead to splitting or cracking the wood.

COMPONENT LIST

NO.	DRAWING	QTY	DESCRIPTION
A		1	COFFEE TABLE
B		1	GLASS TOP
C		4	LEG
D		4	BOLT (5/16"-18*40MM)
E		4	FLAT WASHER (8*19MM)
F		1	ALLEN KEY (5/16")
G		16	SCREW (4*30MM)
H		1	SCREWDRIVER (NOT PROVIDED)
I		4	GLASS PDA (25*10MM)

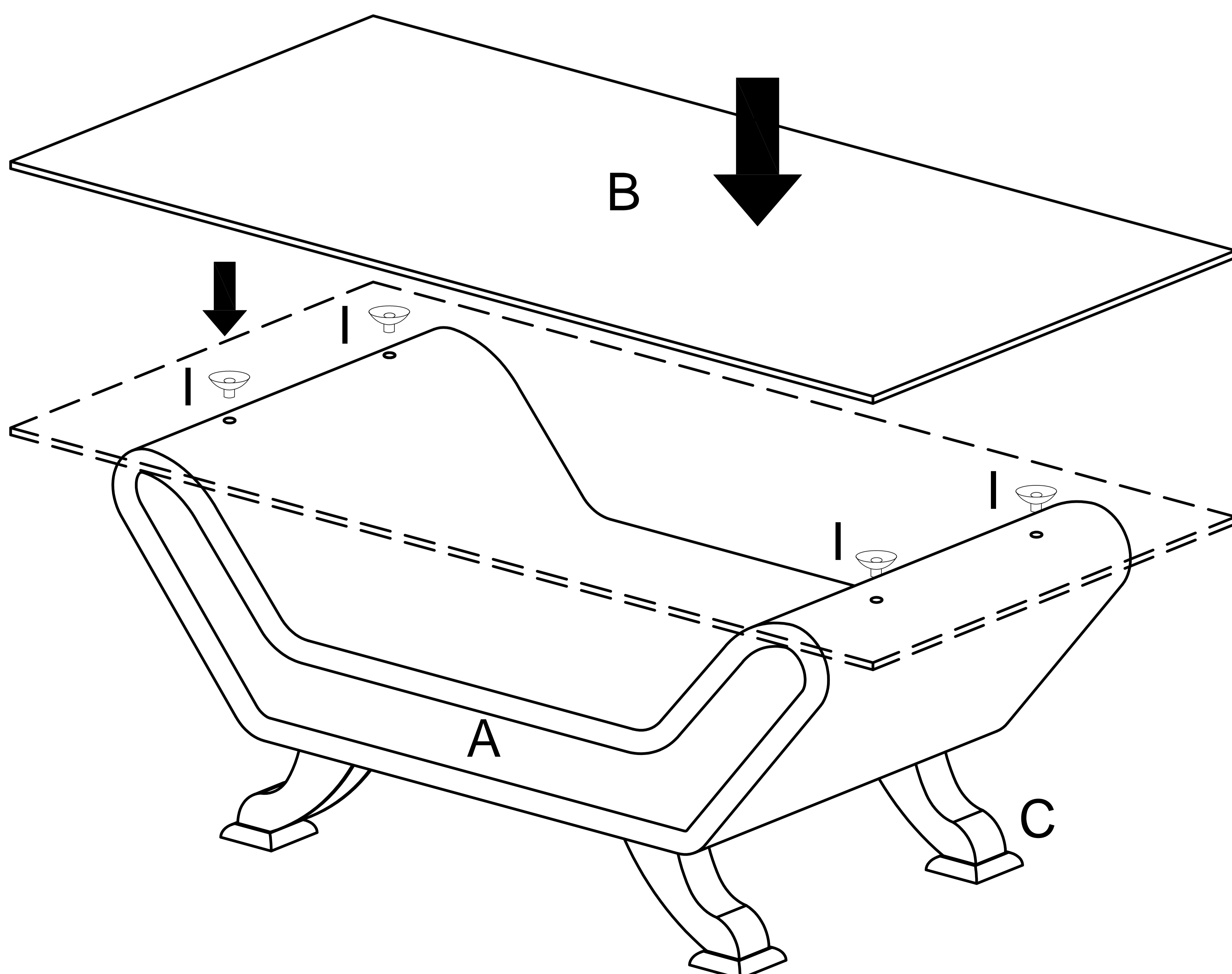
STEP1 :

Align the legs to the pre-drilled holes at the bottom of the units, insert bolts and washers then tighten with screw driver / Allen Key.



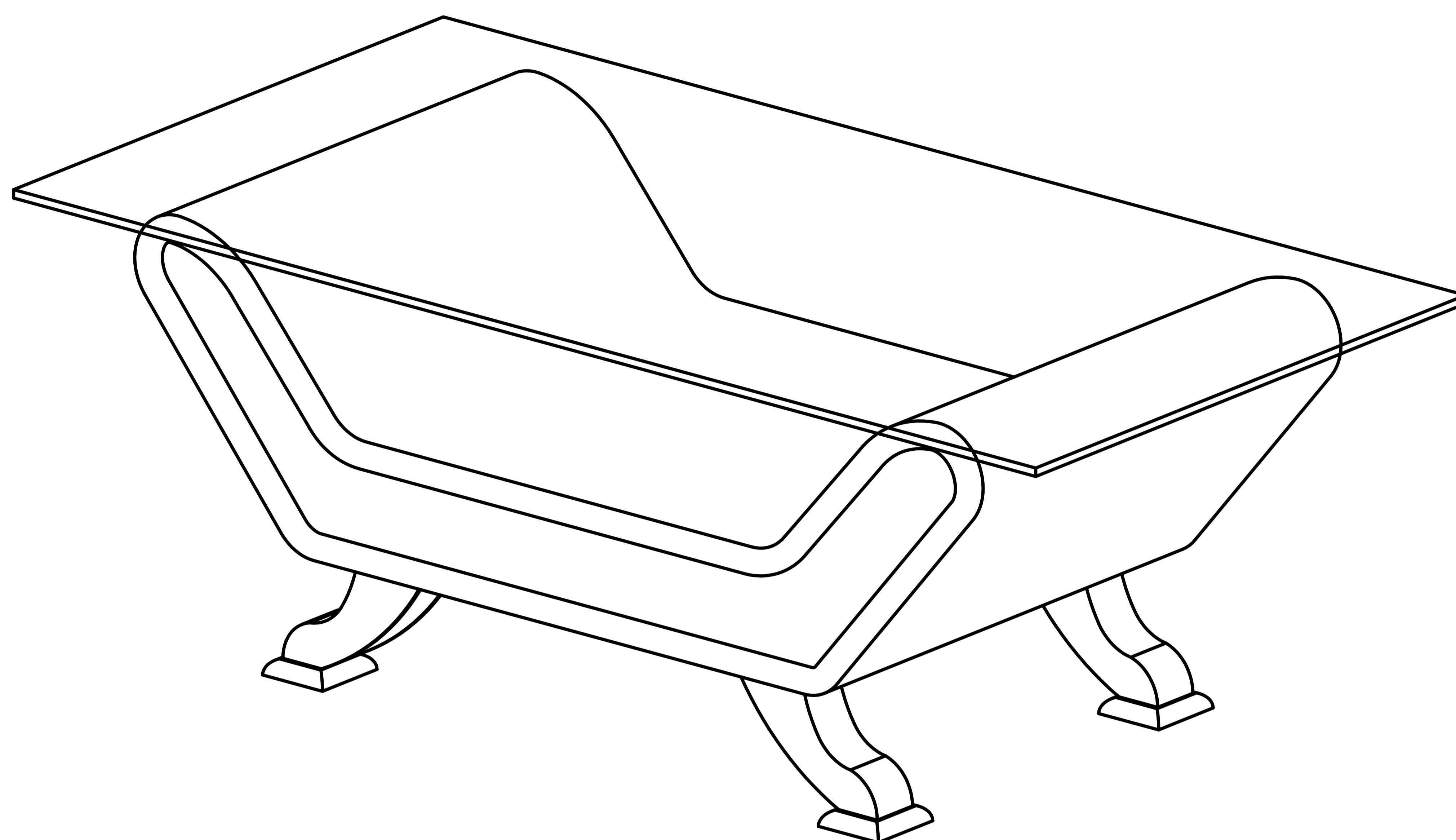
STEP2 :

Put the glass PAD into the hole and Put the glass top to the cocktail table.



STEP3 :

Assembly completed.



Care instruction for PU furniture.

In order to maintain the original appearance of your PU furniture, please follow below simple care procedures:

Avoid exposing furniture directly to sunlight or heating and air conditioning outlets. Sunlight and/or exposure to heating and air conditioning outlets will fade/damage fabrics. Do not place your upholstered furniture too close to windows, radiators, or vents, and be sure to use windows, radiators, or vents.

Vacuum or wipe with a cloth regularly to remove dust.

Clean PU furniture with professional cleanser.



For items used on wooden floor, hard surfaces or carpets, it is recommended to install protective pads under all legs and supports to avoid/prevent from damages/scratches and discoloration.