



PART LIST

ASSEMBLY INSTRUCTION

5607-36RD COUNTER HEIGHT TABLE

A

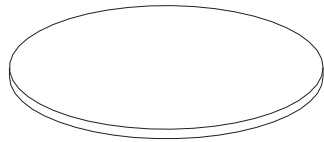


Table Top

1PC

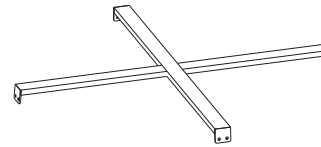
B



Leg

4PCS

C



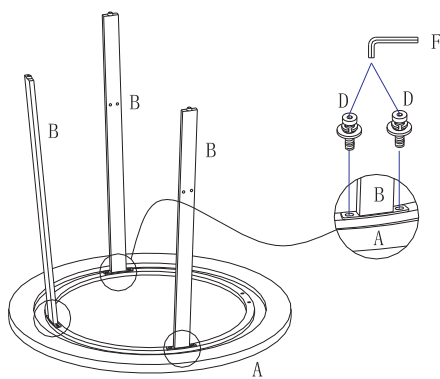
Stretcher

1PC

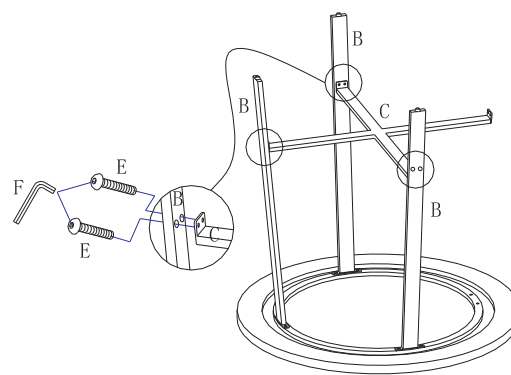
HARDARE LIST

D		Bolt with Lock Washer and Flat Washer	1/4"X15mm	8pcs
E		Bolt	1/4"X20mm	8pcs
F		L-Allen Key	4mm	1pc

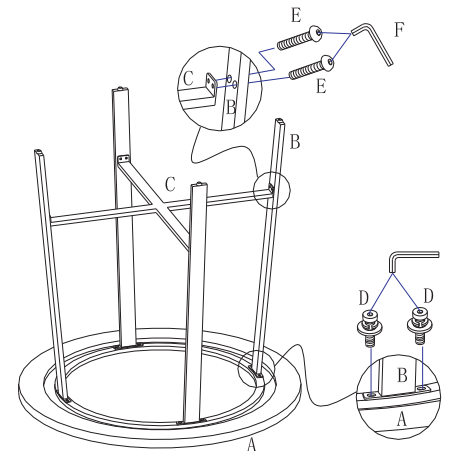
STEP 1



STEP 2



STEP 3



STEP 4



⚠ For items use on wooden floor, hard surfaces or carpets, it is recommended to Install protective pads under all legs and supports to avoid/prevent from damages/scratches and discoloration.