

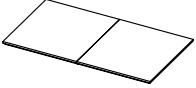
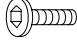
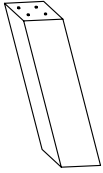

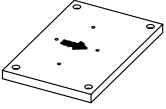

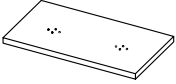

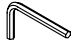


# ASSEMBLY INSTRUCTION

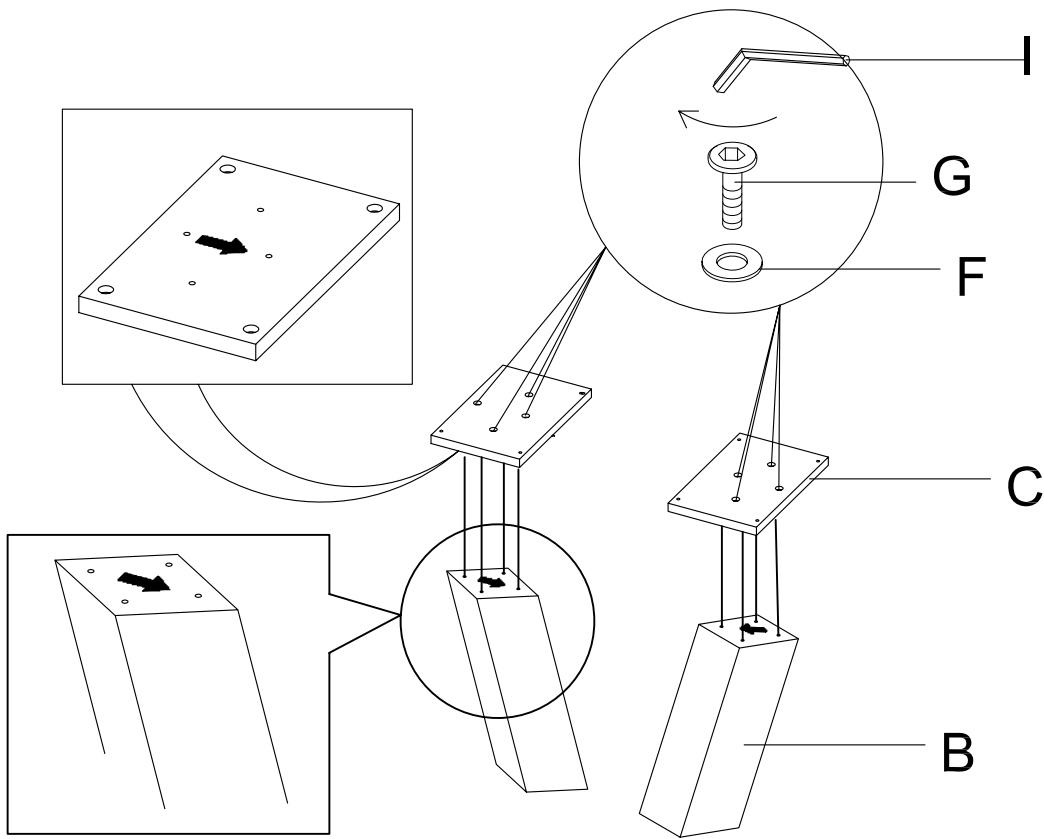
ITEM #: 5503

DINING TABLE

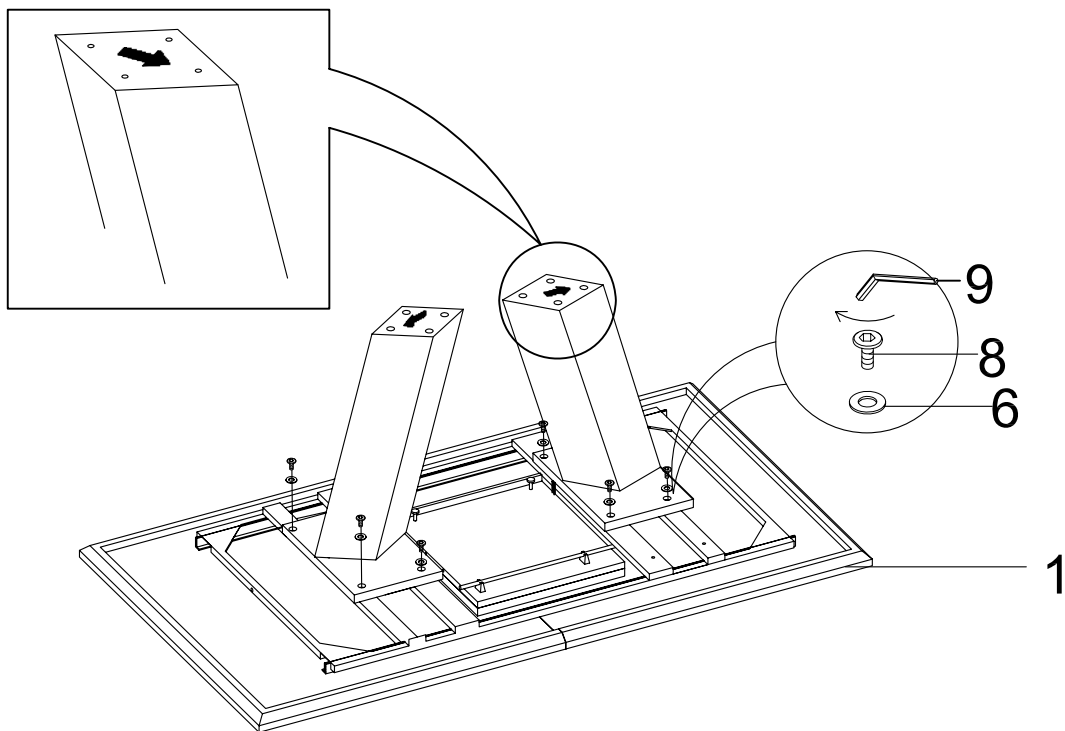
5503T TABLE TOP / 5503B TABLE BASE / 5503M METAL BASE

NO.	PART LIST		QTY	NO.	HARDWARE LIST HARDWARE PACK IN 5503B		QTY
A		TABLE TOP	1	E		ALLEN BOLT M8 * 45 mm	8
B		LEG	2	F		FLAT WASHER ø8 * ø22mm	24
C		MOUNTING PLATE	2	G		ALLEN BOLT M8 * 35 mm	8
D		TABLE BASE	1	H		ALLEN BOLT M8 * 30 mm	8
				I		ALLEN KEY 6mm	1

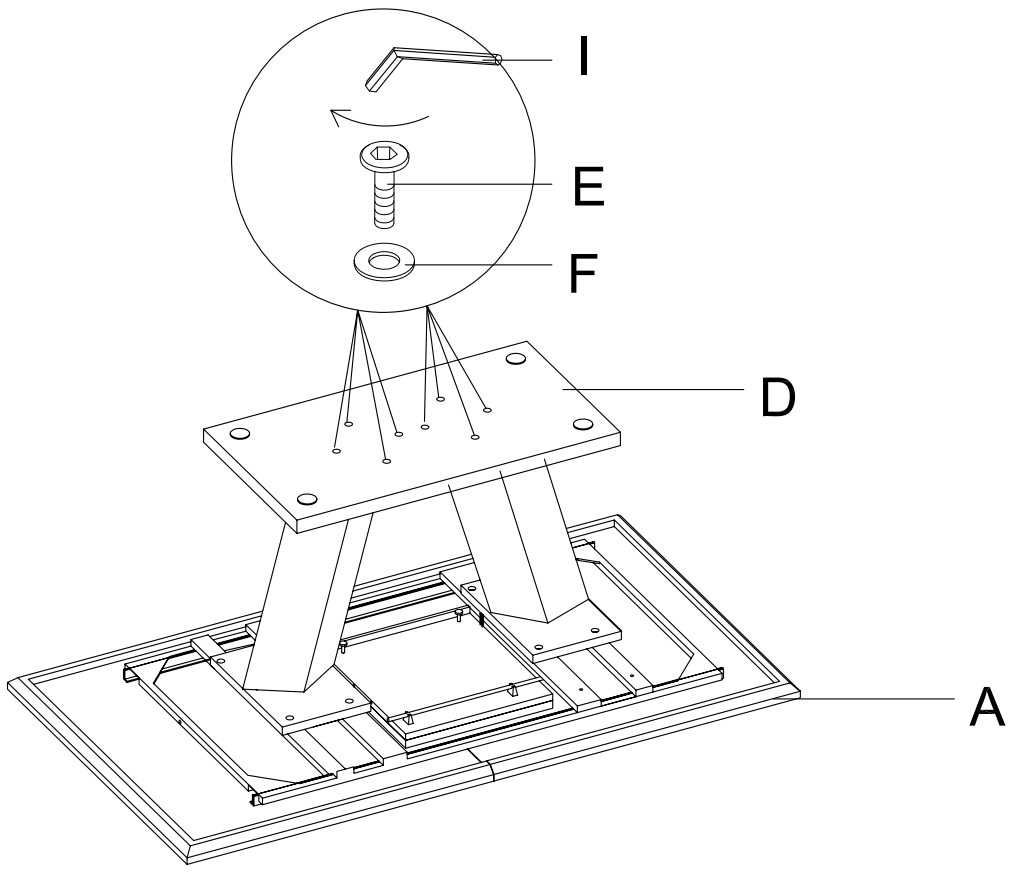
1



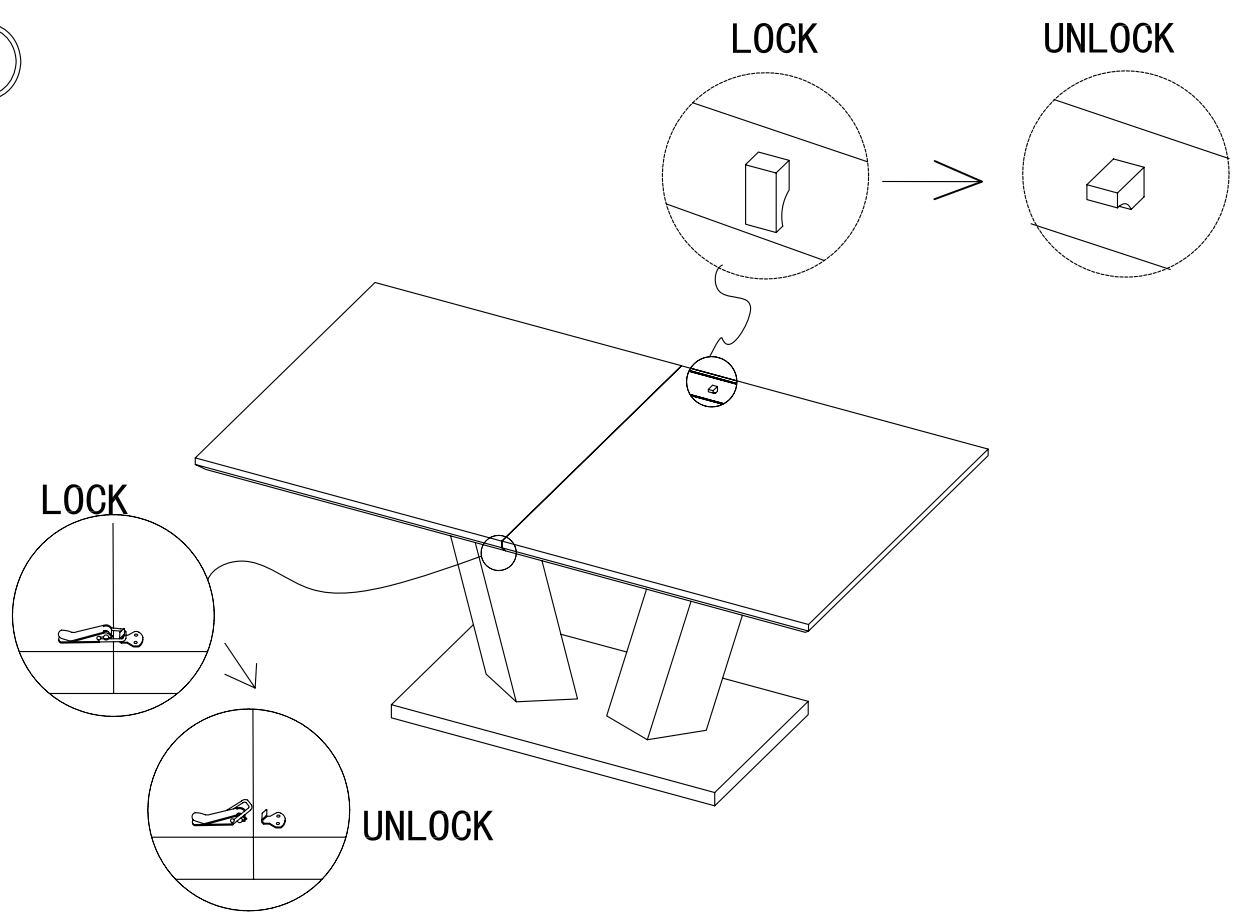
2



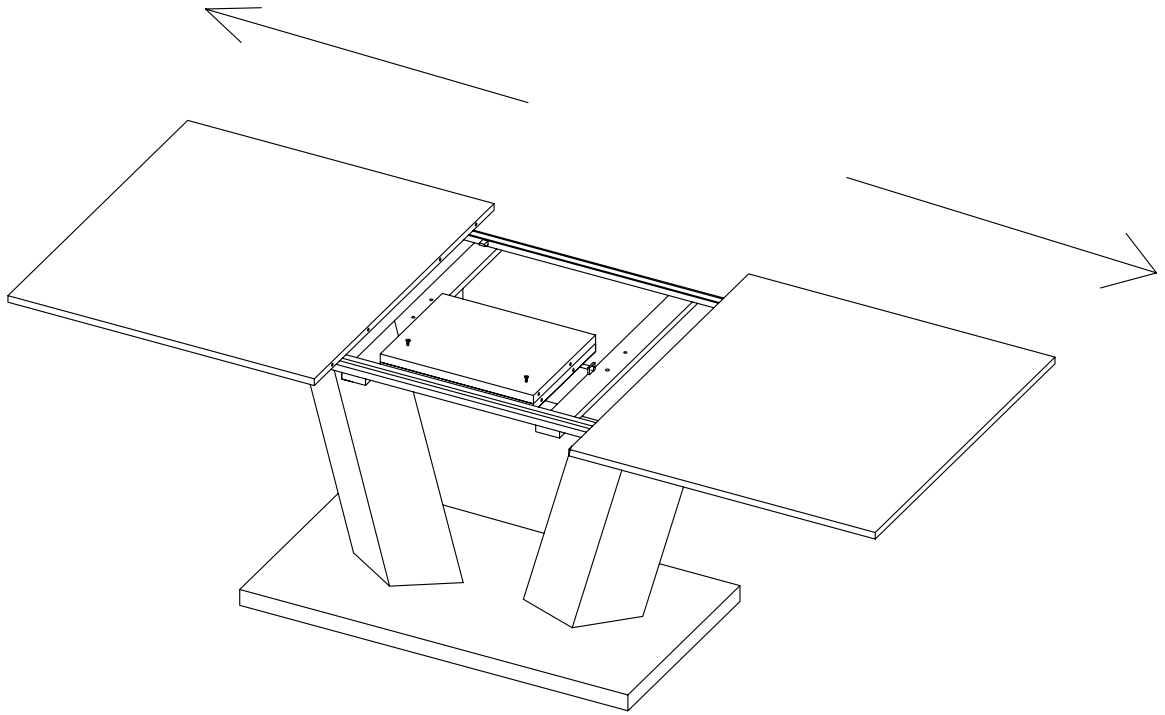
3



4

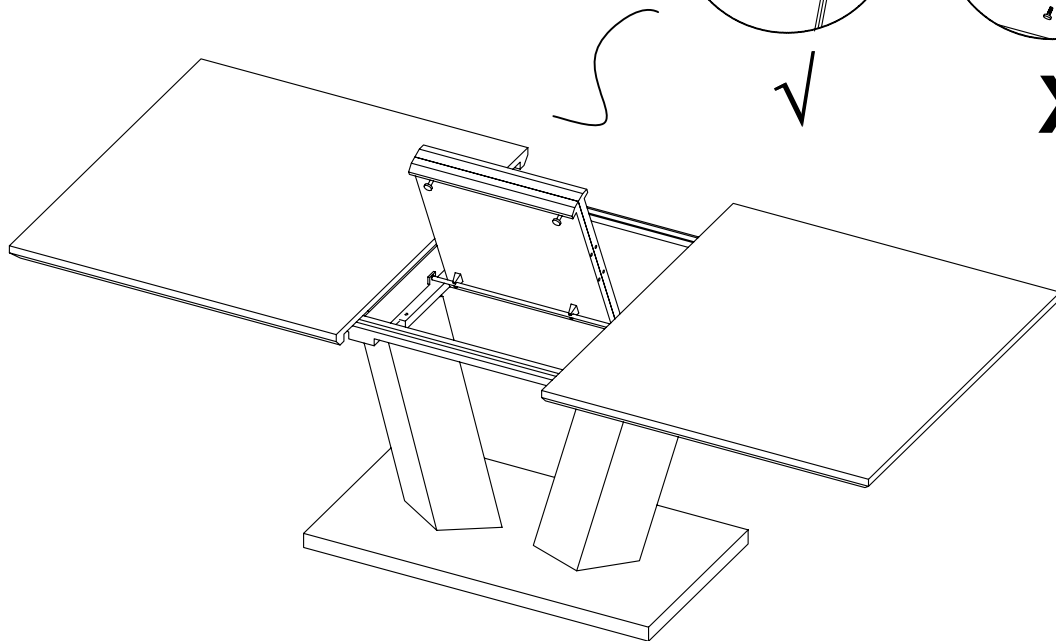
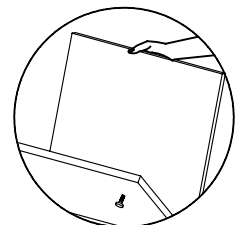
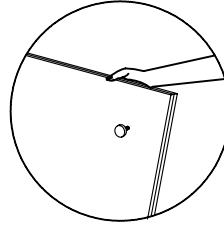


5

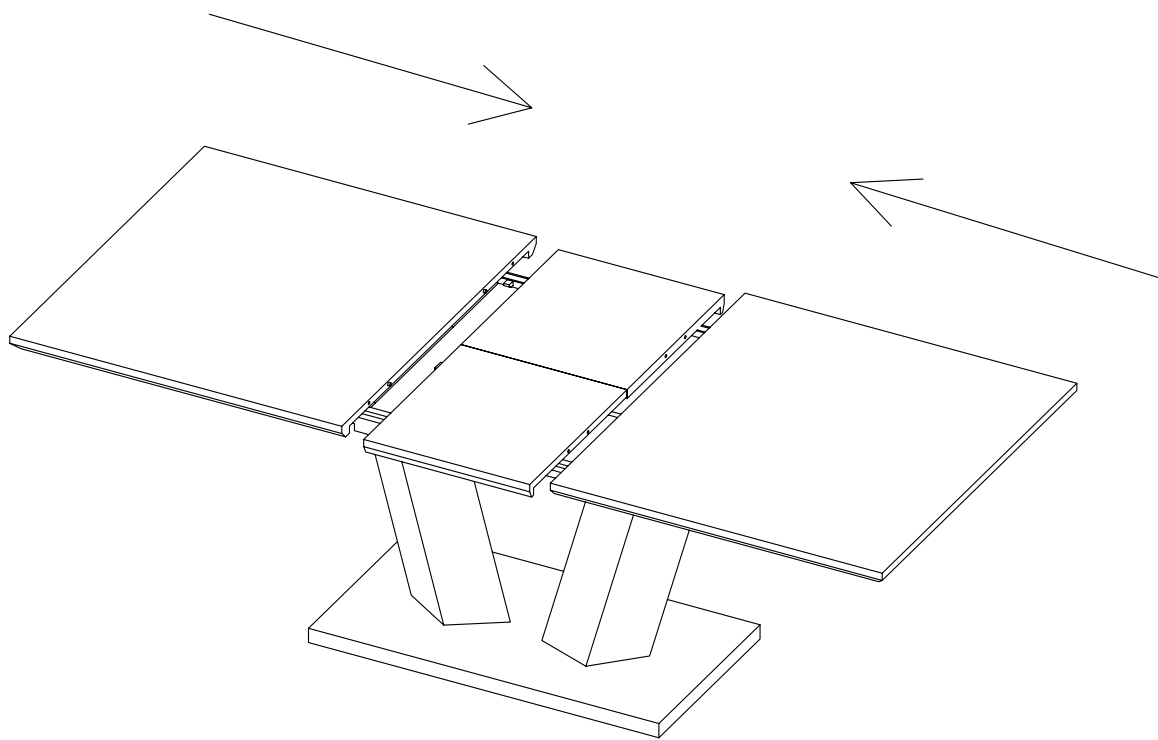


6

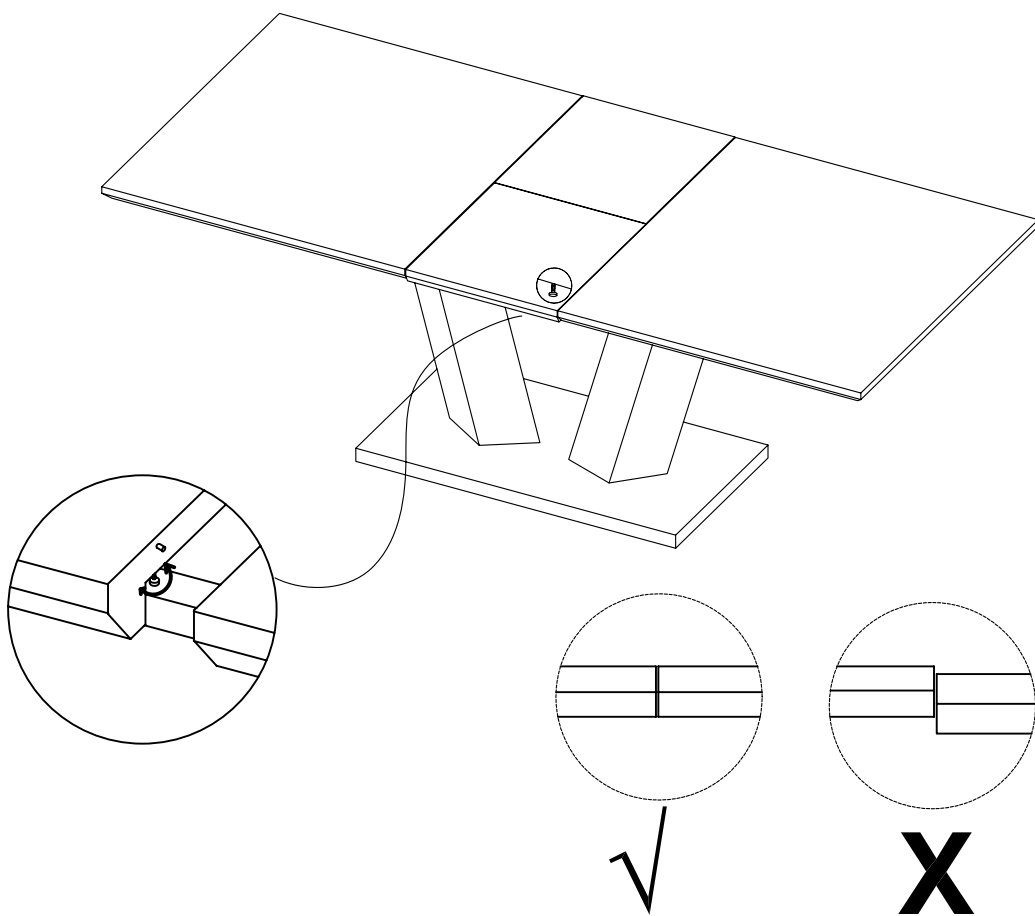
Pull and take out the whole table leaf in one way



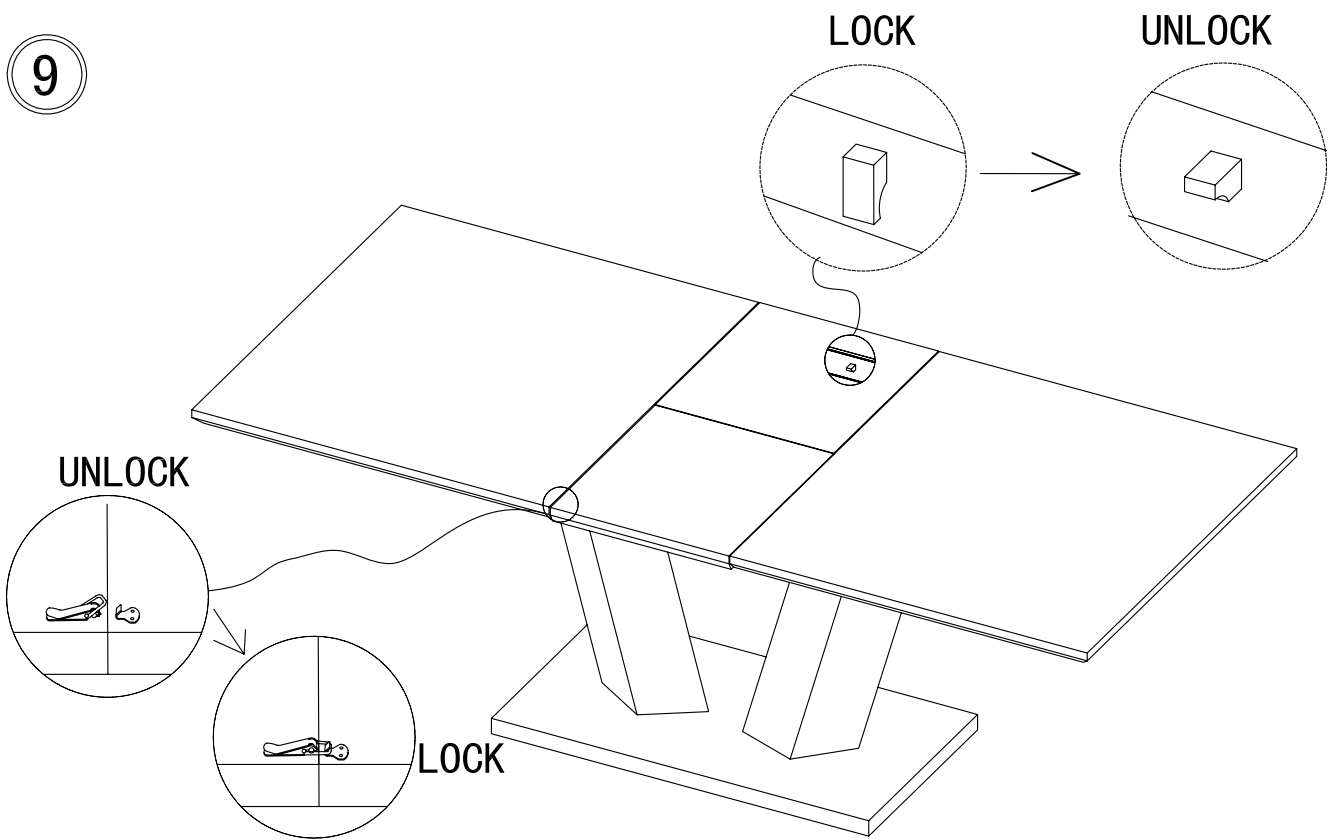
7



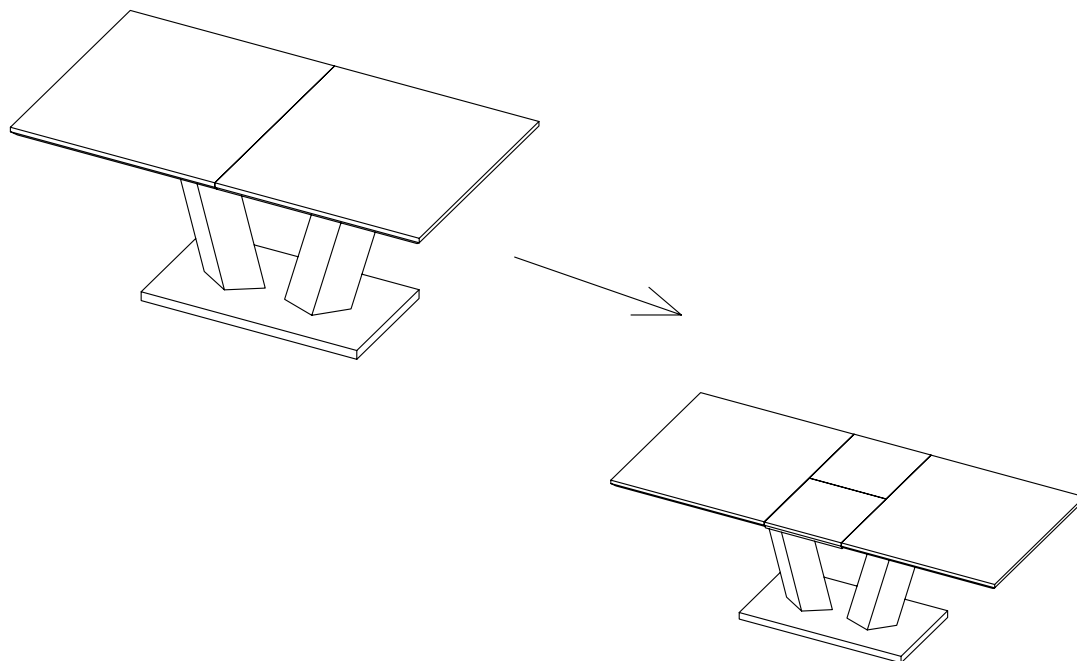
8



9



10



For items use on wooden floor, hard surfaces or carpets, it is recommended to install protective pads under all legs and supports to avoid/prevent from damages/scratches and discoloration.

Do not tighten bolts until completely assembled.