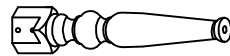
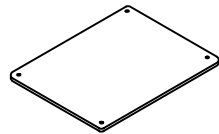
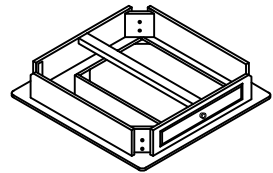


ASSEMBLY INSTRUCTION

3587-04 END TABLE

PARTS LIST:





1: TABLE TOP 1pc

2: BOTTOM SHELF 1pc

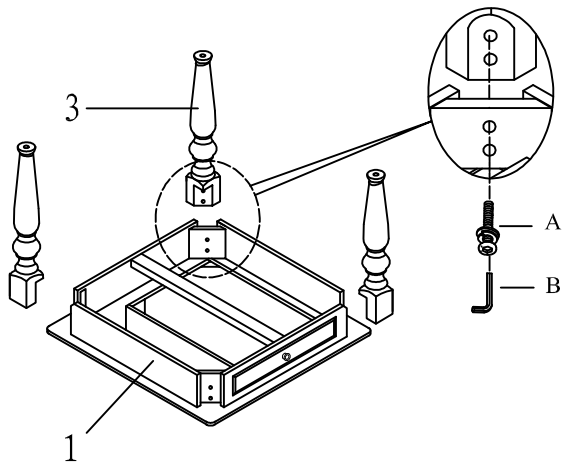
3: LEG 4pcs

4: BUN FEET 4pcs

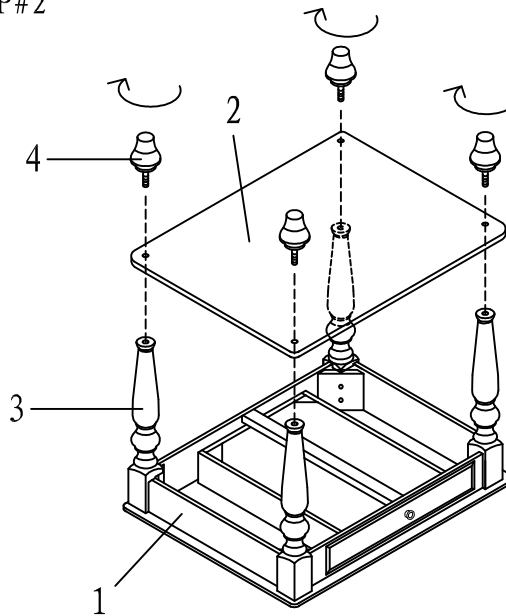
HARDWARE LIST

A		Ø5/16"*2"L	8PCS
B		5mm	1PC

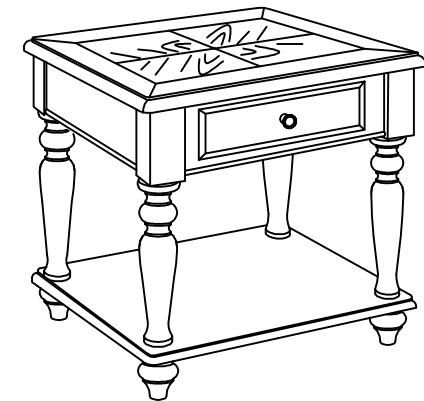
STEP#1



STEP#2



COMPLETED



For items use on wooden floor, hard surfaces or carpets, it is recommended to Install protective pads under all legs and supports to avoid/prevent from damages/scratches and discoloration.