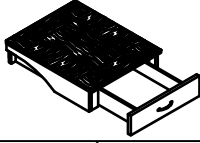

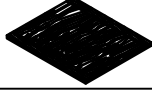

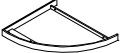

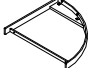

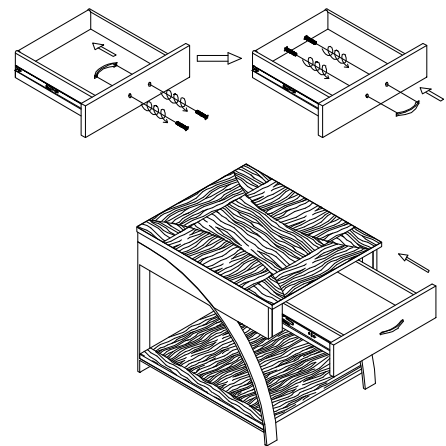
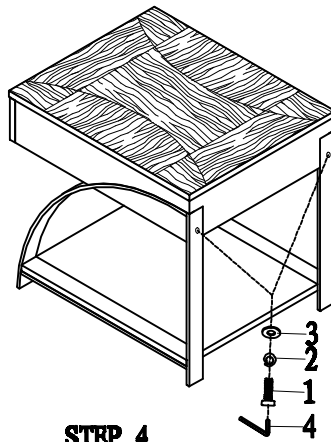
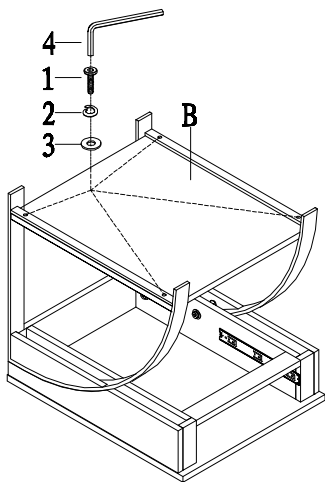
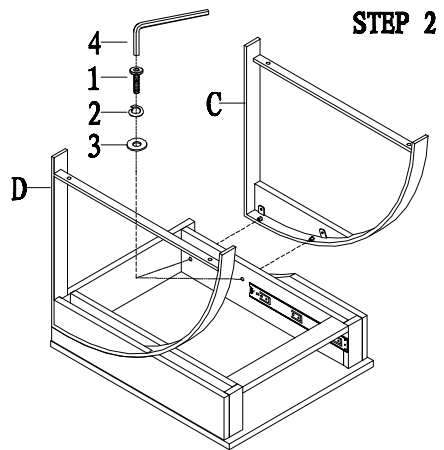
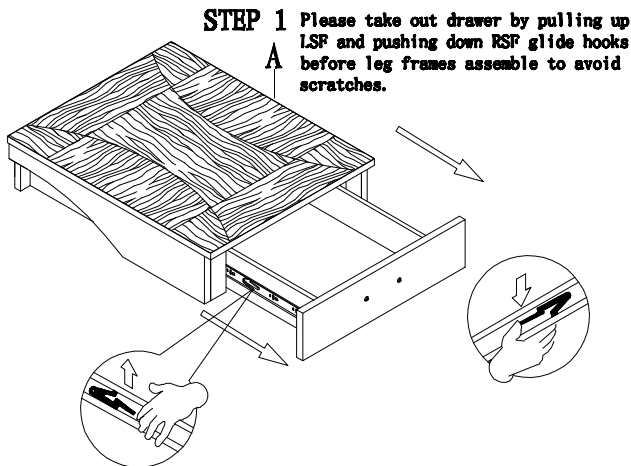




Assembly Instruction

ITEM: 3533RF-04 END TABLE

PART LIST				HARDWARE LIST				
A	TOP PANEL WITH DRAWER		1PC	1	BOLT		Ø1/4"*1"	10PCS
B	BOTTOM PANEL		1PC	2	SPRING WASHER		Ø1/4"	10PCS
C	LSF LEG FRAME		1PC	3	FLAT WASHER		Ø1/4"*16mm	10PCS
D	RSF LEG FRAME		1PC	4	ALLEN KEY		4mm	1PC



For items use on wooden floor, hard surfaces or carfaces or carpets, it is recommended to install protective pads under all legs and supports to avoid/prevent from damages/scratches and discoloration