



ASSEMBLY INSTRUCTION 3508-30 COCKTAIL TABLE

PART LIST:

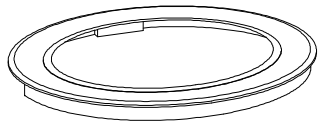
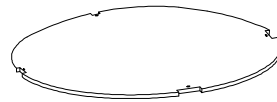


Table Top
1pc



Glass Insert
1pc



Shelf
1pc

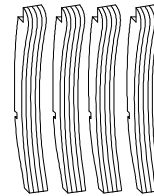
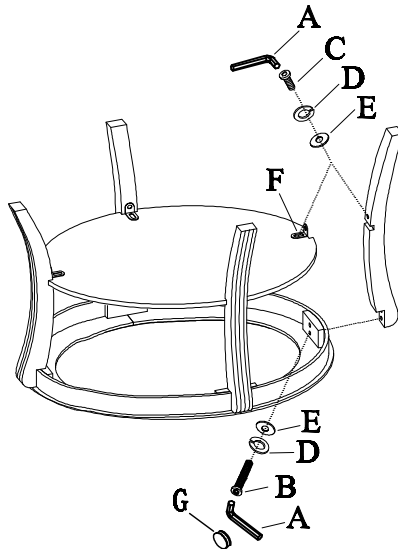


Table Leg
4pcs

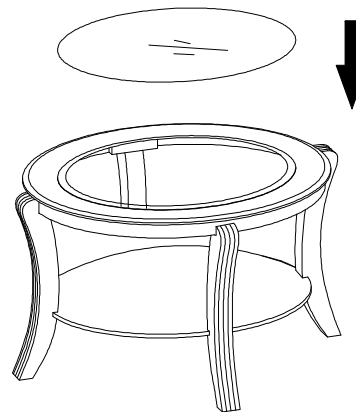
HARDWARE LIST

A		Allen Wrench	1/4"	1PC
B		Bolt	1/4"*2"	8PCS
C		Bolt	1/4"*1/2"	8PCS
D		Flat Washer	1/4"(Ø19)*1.5	16PCS
E		Spring Washer	1/4"	16PCS
F		Bracket	1/4"	4PCS
G		Plastic cap	20	8PCS

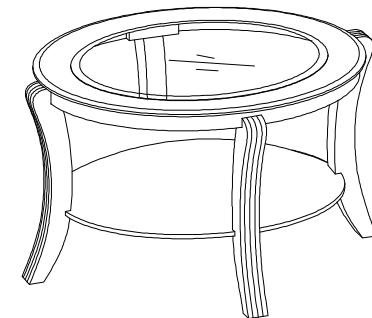
STEP 1



STEP 2



COMPLETED



Place the table top on the smooth carpeted or padded surface.

- (1) Attach the table legs to the table top, insert the bolts and washers, do not fully tighten it, align the shelf to the table legs, insert the bolts and washers then tighten all the bolts.
- (2) Insert the glass top to the table frame and make sure the glass is fixed properly.