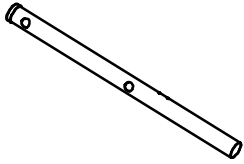


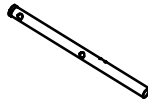
ASSEMBLY INSTRUCTION

2021TW-1 METAL TWIN BED

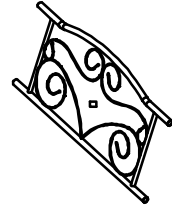
PART LIST:



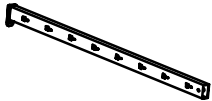
A:LSF/RSF Headboard
Post 2PCS



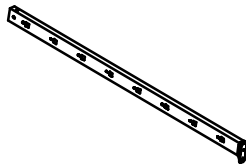
B:LSF/RSF Footboard
Post 2PCS



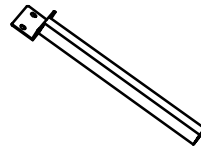
E:Headboard/Footboard
2PCS



F:Rail section(1)
2PCS



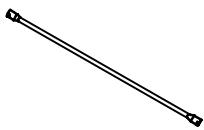
G:Rail section(2)
2PCS



H:Rail Support Leg
2PCS



J:Center support Bar
1PC



N:Slat
16PCS



O:Slat Connector
32PCS



P:Finial
4PCS

HARDWARE LIST:

Q*12PCS



1/4*13MM

R*4PCS



1/4*32MM

S*8PCS



1/4

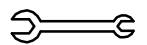
T*8PCS



1/4*55MM



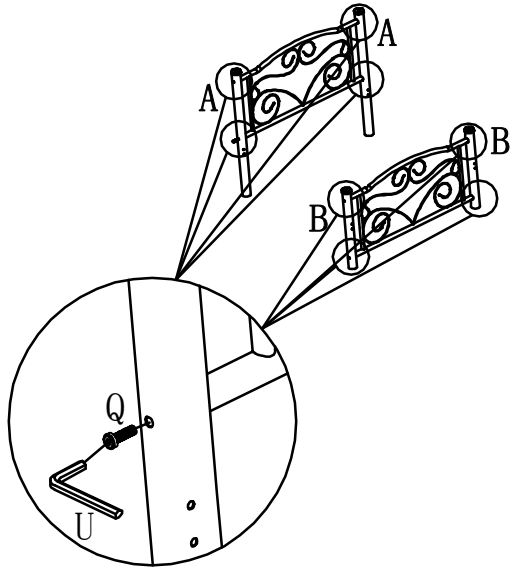
U*1PC



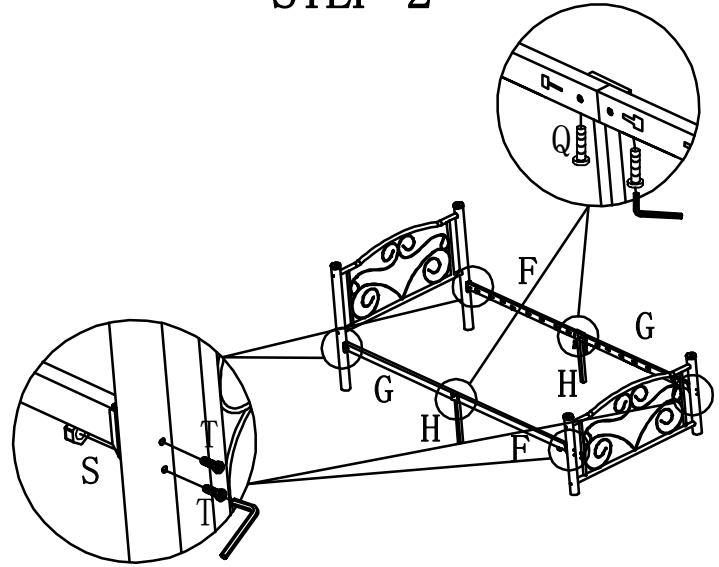
V*1PC

Note: Pls do not tighten all bolts until the bed is assembled completely

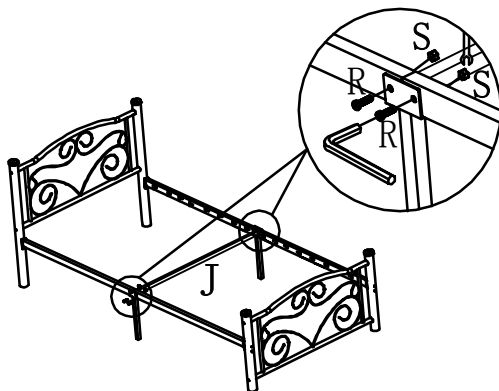
STEP 1



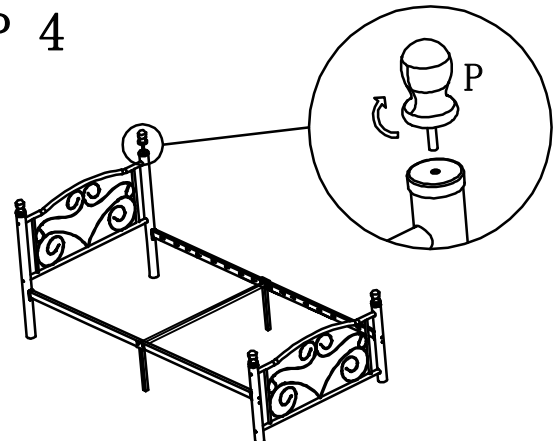
STEP 2



STEP 3



STEP 4



STEP 5

