




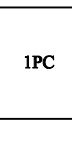















Assembly Instruction

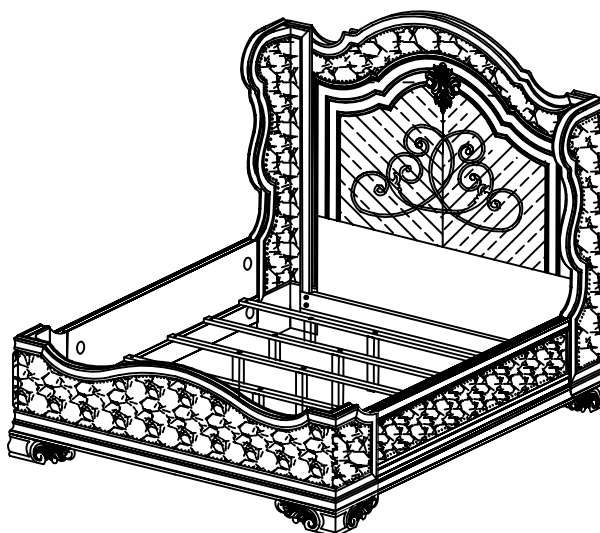
ITEM#: 1603 EK BED
 1603K-1EK EK HEADBOARD
 1603K-2EK EK FOOTBOARD, RAILS & SLATS
 1603-P QN/EK/CK HEADBOARD POSTS

PART LIST

1		HEADBOARD PANEL	1PC
2		HEADBOARD POST LSF	1PC
3		HEADBOARD POST RSF	1PC
4		HEADBOARD CROSS BAR	1PC
5		FOOTBOARD	1PC
6		RAIL	2PCS
7		SLAT	4PCS
8		SUPPORT LEG	8PCS

HARDWARE LIST IN-2EK

A		ALLEN KEY 5/16"	1PC
B		BOLT 5/16"x1-3/4"	12PCS
C		SPRING WASHER 5/16"	12PCS
D		FLAT WASHER 5/16"	12PCS
E		BOLT 5/16" x 3-1/4"	8PCS
F		"C" WASHER 5/16"	8PCS
G		HEX NUT 5/16"	8PCS
H		WRENCH 13x90MM	1PC
J		WOOD SCREW #8 x 1"	8PCS



**For items use on wooden floor , hard surfaces or carpets
 it is recommended to install protective pads under all legs and supports
 to avoid/prevent from damages/scratches and discoloration**

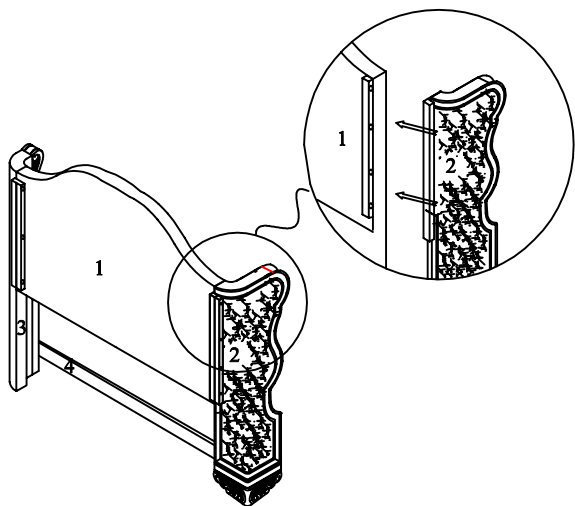
MADE IN VIETNAM



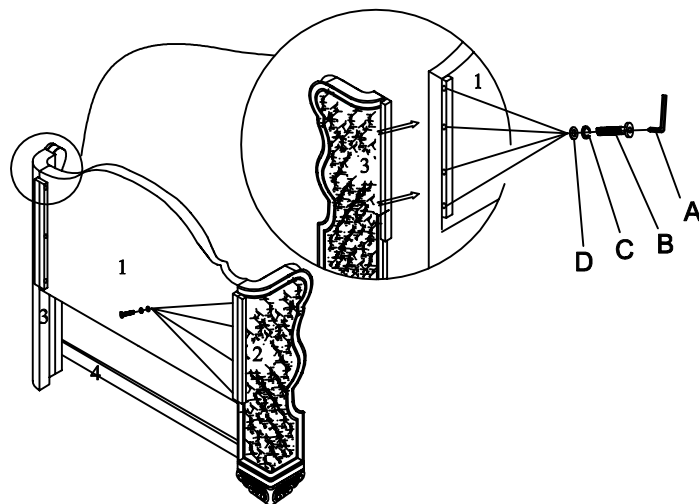
Assembly Instruction

ITEM#: 1603 EK BED
1603K-1EK EK HEADBOARD
1603K-2EK EK FOOTBOARD, RAILS & SLATS
1603-P QN/EK/CK HEADBOARD POSTS

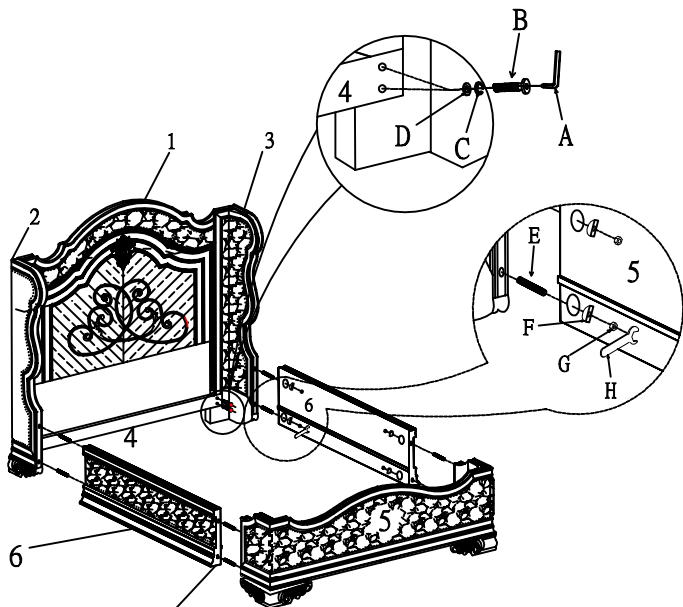
STEP 1



STEP 2

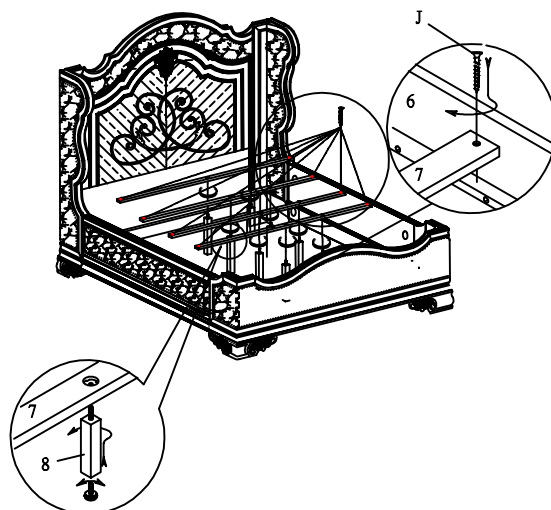


STEP 3



Fasten the bolts after alignment for the bottom line of FB to rails

STEP 4



For items use on wooden floor ,hard surfaces or carpets it is recommended to install protective pads under all legs and supports to avoid/prevent from damages/scratches and discoloration

MADE IN VIETNAM