



ASSEMBLY INSTRUCTION

Item No.:

1436WK - 1 (1/3) California/Eastern King Headboard

1436WK - 2 (2/3) California/Eastern King Footboard and Slats

1436W - 3CK(3/3) California King Side Rails with Crown

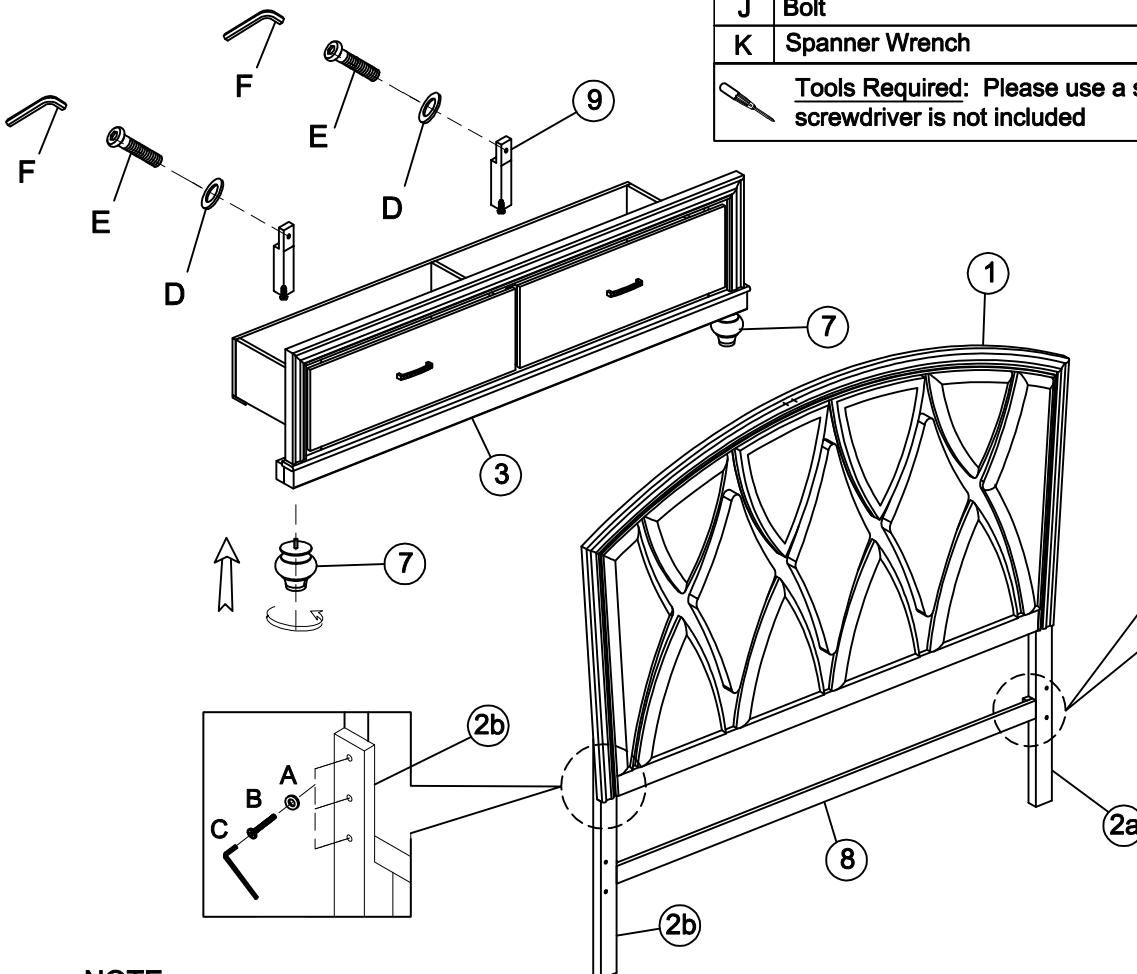
Thank you for purchasing this quality product. Be sure to check all packing material carefully for small Hardware which may have come loose inside the carton during shipment. Identify and count all hardware and compare with the hardware list below

! It is recommended to install protective pads under all legs and supports to avoid damage or scratches when placing furniture on a wood floor or other hard surface, and to limit indentation and prevent discoloration if placing on carpet.

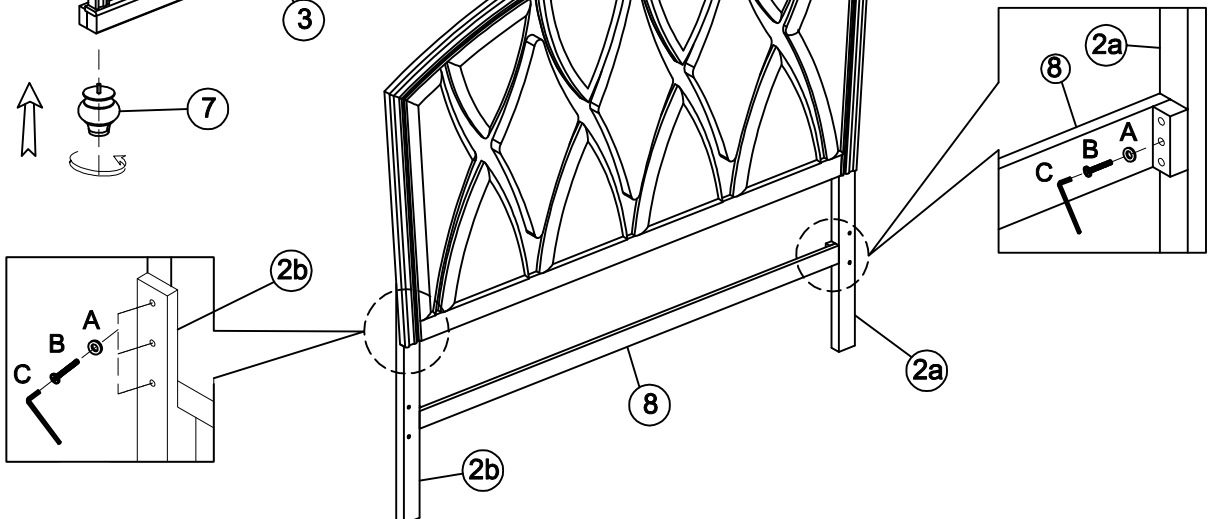
Part List		
NO.	Description	Q'TY
1	Headboard	1 PC
2a	Headboard Post RSF	1 PC
2b	Headboard Post LSF	1 PC
3	Footboard	1 PC
4	Rails	2 PCS
5	Slat Roll	13 PCS
6	Slat supports	10 PCS
7	Bun Foot	2 PCS
8	Headboard support bar	1 PC
9	Footboard support leg	2 PCS

Hardware List In-K-1			
NO.	Description	Figure	Q'TY
A	Flat washer 5/16"		8 PCS
B	Bolt 5/16" x 45mm		8 PCS
C	Allen Key 60mm		1 PC
M	Plug with connector		1 PC
Hardware List In-K-2			
NO.	Description	Figure	Q'TY
D	Flat washer 1/4"		2 PCS
E	Bolt 1/4" x 40mm		2 PCS
F	Allen Key 60mm		1 PC
G	Screw Ø4*30mm		26 PCS
Hardware List In - 3			
NO.	Description	Figure	Q'TY
H	Bolt 5/16" x 80mm		8 PCS
I	Curved washer		8 PCS
J	Bolt		8 PCS
K	Spanner Wrench		1 PC
Tools Required: Please use a screwdriver for the screwdriver is not included			

Step 1



Step 2



NOTE :

! DO NOT TIGHTEN BOLTS UNTIL COMPLETELY ASSEMBLED



ASSEMBLY INSTRUCTION

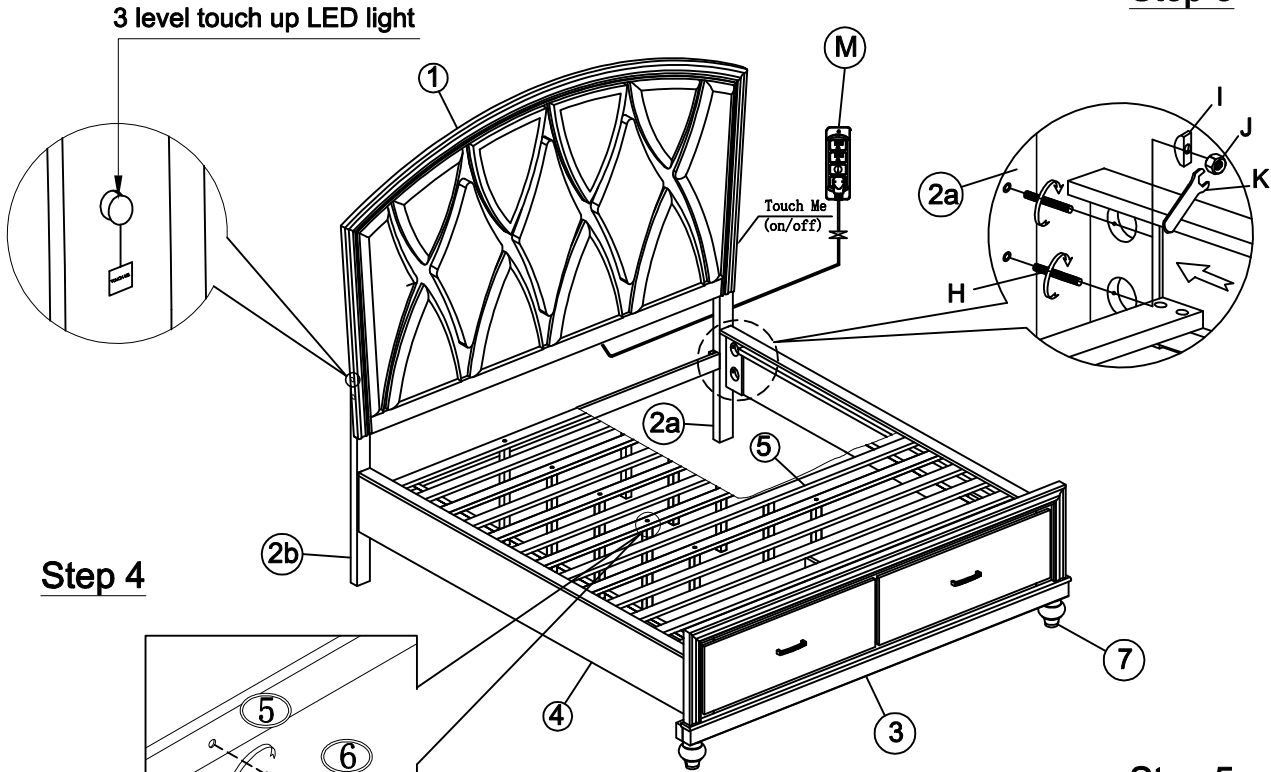
Item No.:

1436WK - 1 (1/3) California/Eastern King Headboard

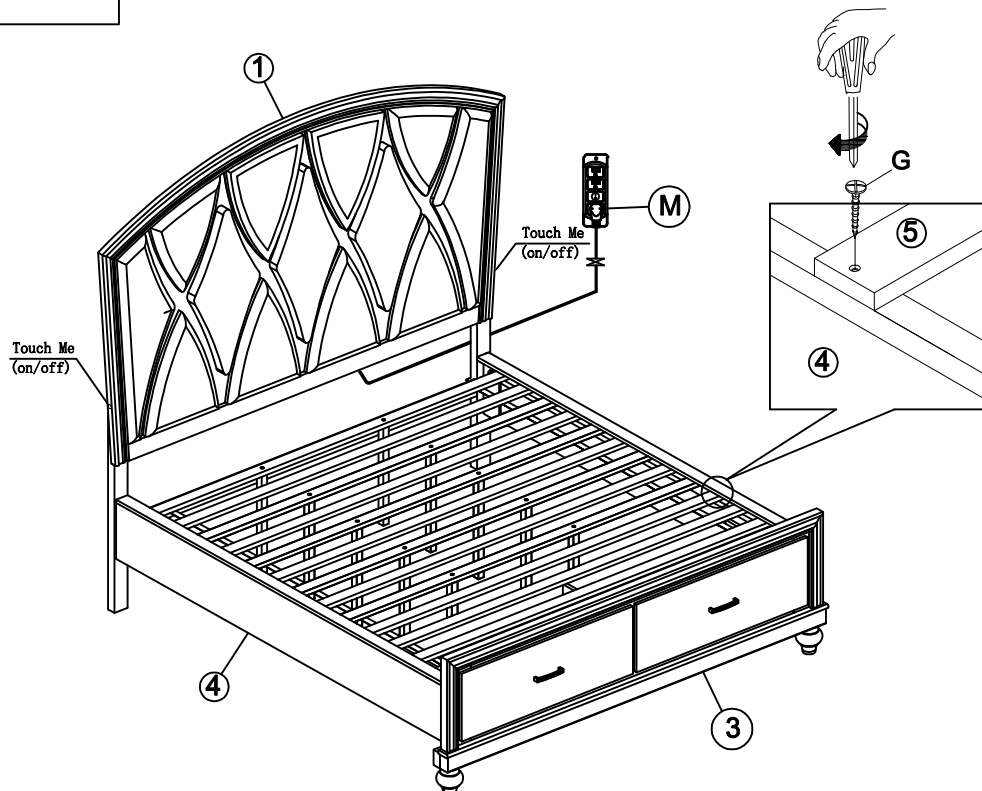
1436WK - 2 (2/3) California/Eastern King Footboard and Slats

1436W - 3CK(3/3) California King Side Rails with Crown

Step 3



Step 5



NOTE :

DO NOT TIGHTEN BOLTS UNTIL COMPLETELY ASSEMBLED