



Assembly Instruction










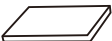
ITEM NO.:1159BE/GY-1
Swivel Chair With Ottoman

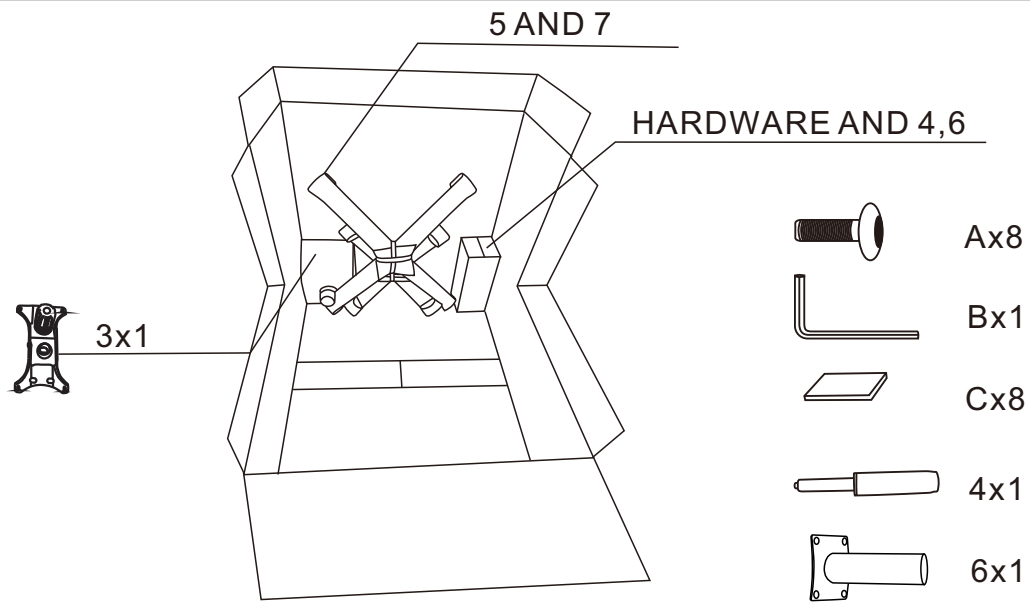


Legs&hardware package are stored on the inner box of the carton, please tack out the legs and hardware for assembly.

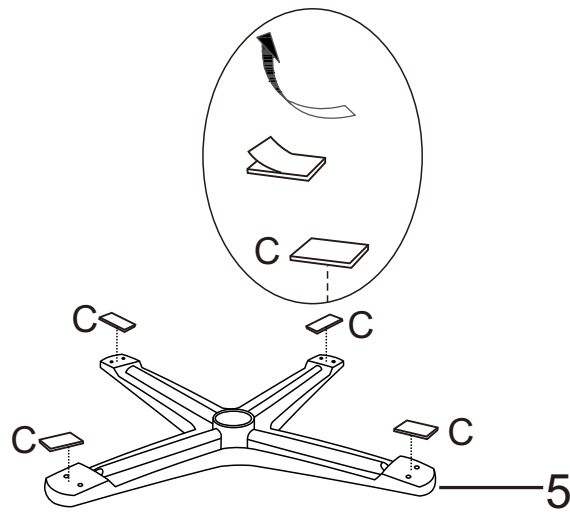
Note:Do not use power tools for assembly. Power tools increase the risk of over tightening which lead to splitting or cracking the wood.

Component list

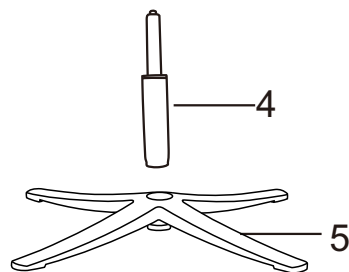
No	Drawing	Qty	Description
1		1	SWIVEL CHAIR SEAT
2		1	OTTOMAN SEAT
3		1	MECHANISM PLATE
4		1	CHAIR GAS CYLINDER
5		1	CHAIR METAL LEG 20.9"
6		1	OTTOMAN GAS CYLINDER
7		1	OTTOMAN METAL LEG 14.6"
A		8	SCREWS M6*16MM
B		1	WRENCH
C		8	FELT PAD 20x40x3MM



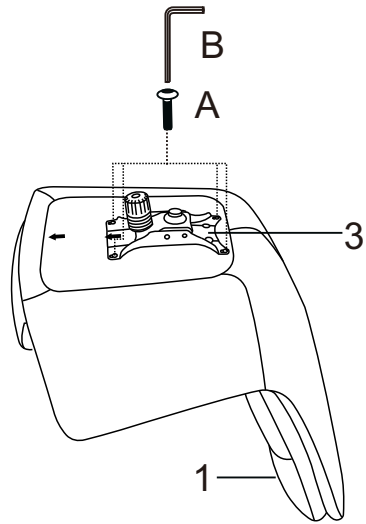
Step #1



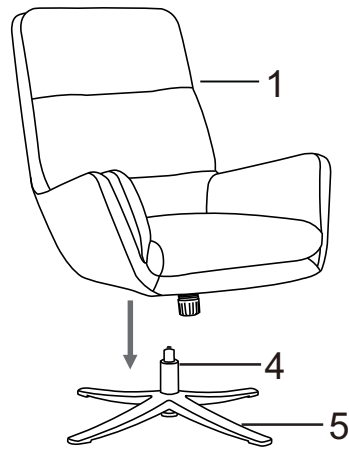
Step #2



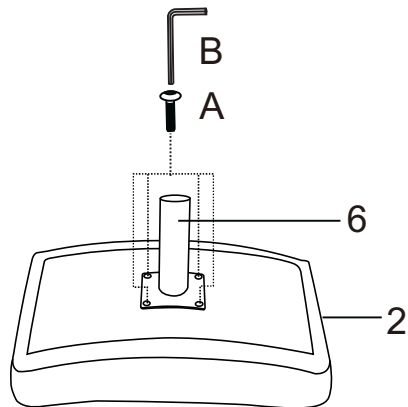
Step #3



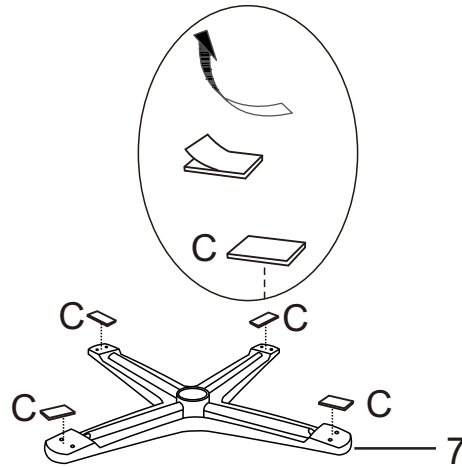
Step #4



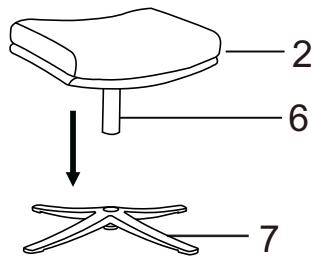
Step #5



Step #6



Step #7



COMPLETED



Care Instruction for Chenille Furniture:

In order to maintain the original appearance of your chenille Furniture please follow below simple care procedures:

- Avoid exposing furniture directly to sunlight or heating and air conditioning outlets. Sunlight and or exposure to heating and air conditioning outlets will fade/damage chenille.
- Vacuum or wipe with a soft cloth to remove dust. Hardware may loosen over time.
- Periodically check to make sure all connection are tight, Re-tighten if necessary.



For items use on wooden floor, hard surfaces or carpets, it is recommended to Install protective pads under all legs and supports to avoid/prevent from damages/scratches and discoloration.